

R1

ROCK BUGGY

1/10 SCALE
HIGH-PERFORMANCE

Instruction Manual/ 組立・取扱説明書


- Width : **290** mm (11.4 inch)
- Height : **190** mm (7.5 inch)
- Length : **440** mm (17.3 inch)
- Wheelbase : **310** mm (12.2 inch)
- Axle Ground Clearance : **55** mm (2.2 inch)
- Center Ground Clearance : **75** mm (3 inch) (Droop Set-up)
95 mm (3.7 inch) (Sprung Set-up)
- 4link suspension / 4WD / Full ball bearings
- Tires : Height: **136** mm(5.3")
Width: **59** mm(2.3")
Inner Diameter: **56** mm (2.2 inch)



Radio Control | Electric

• Ready to assemble radio control model kit • Full ball bearings • One piece portal axles • All-in-one body and tube frame • Clear body panel set
• Adjustable, aluminum oil-filled shocks • Dual sided bead-lock wheels • Four link suspension • 4WD shaft drive transmission • Excellent tire traction

Cautions

 In order to avoid personal injury or property damage, you have to act in a responsible manner and follow these directions. RC models can operate at over 40Km/h but can not stop immediately.

■ Safety Precautions

- Check the surrounding area before you operate RC model.
- Choose a good place to operate your RC model.
- Do not operate your RC model on the street or highway. It can cause a serious damage or a serious accident.
- Do not operate your RC model in confined or crowded areas, in order to avoid accident.
- Never operate your RC model near people or animals, and never use people or animals as an obstacle.
- A collision between your RC model and stationary objects can cause damage to either.
- Do not operate RC model in public places like hospital and residential areas. It can cause great noise.
- Never operate RC model indoors. There is a higher possibility of fire or damage.

■ Safety Precautions (Before assembling)

- Before you start assembling this model, read the instructions carefully and make sure you understand them thoroughly.
- If a child assembles this model, an adult must also read the instructions carefully and understand them thoroughly.
- Always be careful when using tools like knives. Extra care should be taken to prevent injuries.
- If you use paint or cement (not included in the RC model), read the instructions supplied with them.
- Keep the parts out of reach of children, small parts can cause choking and vinyl bags can suffocate.

■ Safety Precautions (Before you operate RC model, check the following.)

- Check to ensure nuts and bolts are tightened appropriately.
- Check that no one else is using your radio frequency.
- Use new batteries to avoid losing control of the transmitter and receiver.
- You will need a 2 channel radio system which includes a servo, a receiver, an ON/OFF switch, and an electronic speed control.
- Be sure to use a radio frequency for ground models – Do not use airplane frequencies.
- Always check the brakes and throttle before you operate your RC model, in order to avoid losing control of the model.
- To prevent unexpected movements of your RC model, do not connect the batteries to receiver before turning on the transmitter.

Always turn on the transmitter first, and then connect the batteries to the receiver.

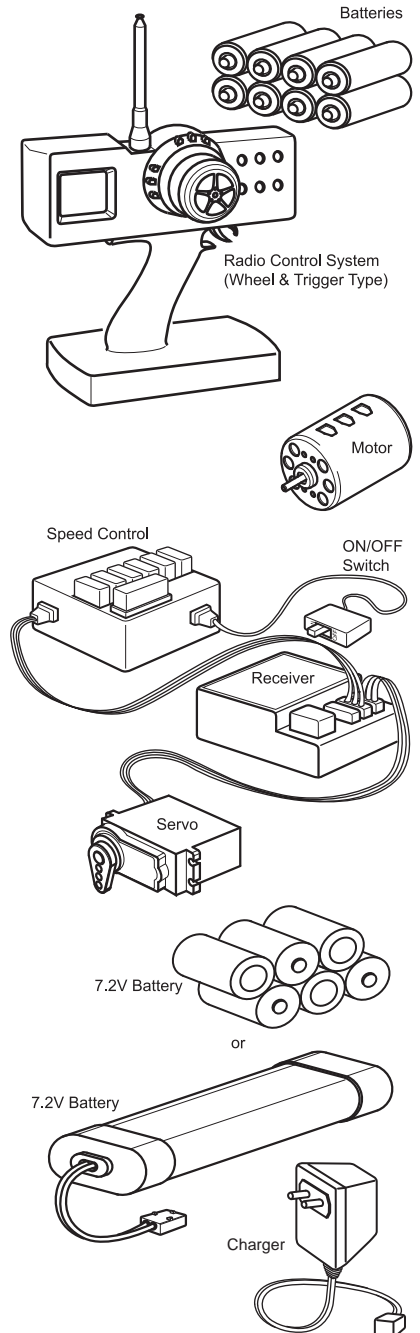
1. Switch on the transmitter.
2. Check that the speed control, the transmitter control, and trims are set to the neutral position.
3. Connect the RC model to the receiver's batteries.
4. Switch on the model and the receiver.

When you using rechargeable batteries, make sure you read and follow the instructions carefully. Inappropriate handling or usage of rechargeable batteries can cause serious injuries or accidents.

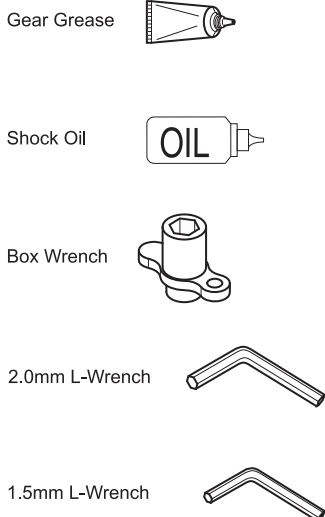
■ Cautions While Operating

- When the RC model is operating, do not touch the moving parts like the drive shaft and wheels. The moving parts can cause serious injuries.
 - Always turn the model or receiver off and disconnect the batteries before turning off the transmitter, in order to avoid unexpected movements of your RC model.
 1. Turn off the model or receiver.
 2. Disconnect the batteries.
 3. Turn off the transmitter. - Do not touch the vehicle's speed control resistor while operating of the RC model. The resistor may be very hot, especially after running at lower speeds.
 - To prevent damage to the RC model, remove the batteries from the model and transmitter when you don't intend to run the RC model for some time.
 - After operating your RC model, batteries become hot, so please be careful when handling.
 - In order to prolong the life of your RC model, please keep it free from dirt and grease.
 - Before you start assembling this model, read the instruction carefully and make sure you understand them fully.
- If a child assembles this model, an adult must also read the instructions carefully and understand them thoroughly.

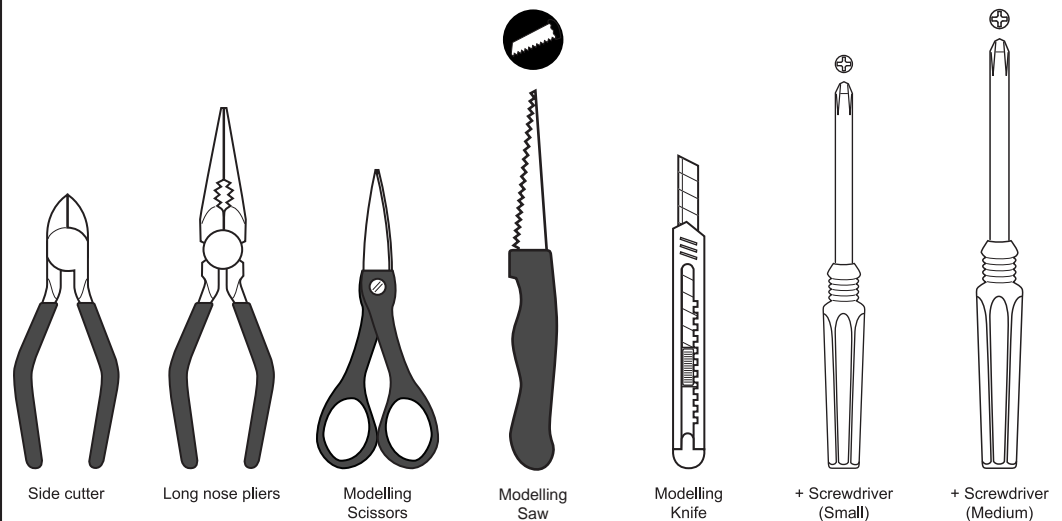
Equipment Needed



Tools Included

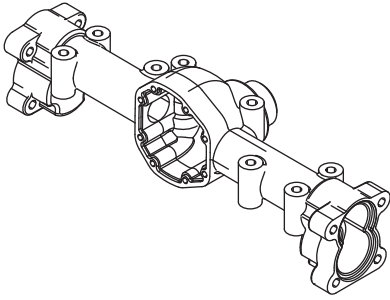


Tools Needed

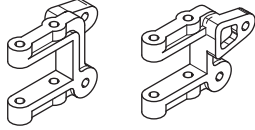


Part Reference

51101 X2
Axle Housing



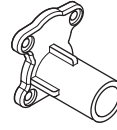
51102 X2
Link Mount set (L,R)



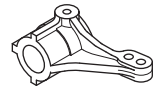
51103 X2
C Hub Carrier



51104 X2
Straight Axle Adapter



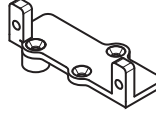
51105 X2
Knuckle Arm



51106 X4
Differential Bearing Cap



51107 X1
Servo Plate



51108 X2
Differential Cover



51109 X2
32T
Bevel Gear

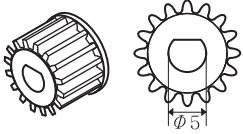


51110 X2
17T
Bevel Gear



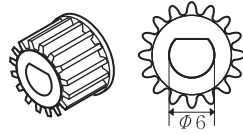
51111 X2
Front Portal Gear set

Portal Gear (16T, $\phi 5$)

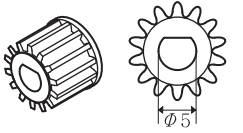


51112 X2
Rear Portal Gear set

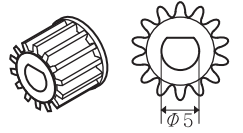
Portal Gear (16T, $\phi 6$)



Portal Gear (14T, $\phi 5$)



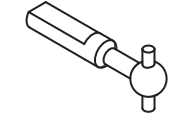
Portal Gear (14T, $\phi 5$)



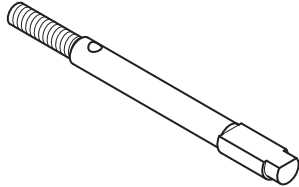
51113 X2
Drive Shaft set (L,R)



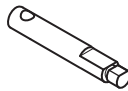
51114 X2
Front Portal Gear Shaft



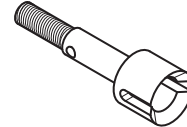
51115 X2
Rear Portal Gear Shaft



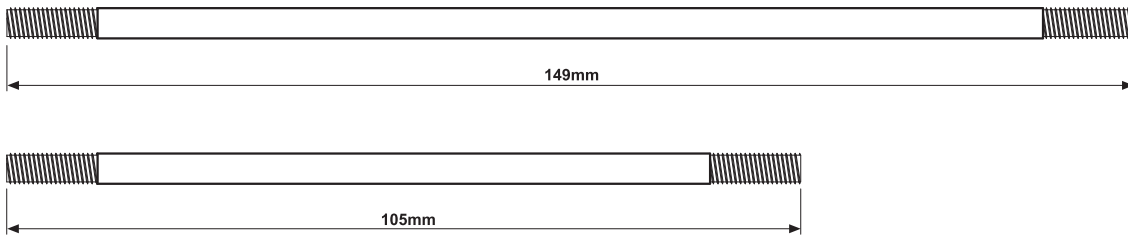
51116 X2
17T Bevel Gear Shaft



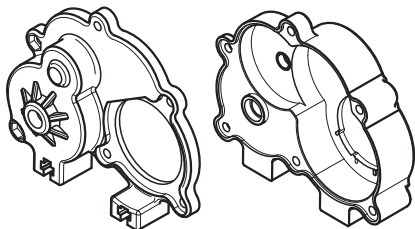
51117 X2
Wheel Axle



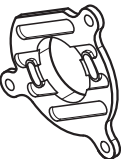
51118 X2
Threaded Shaft



51201 X1
Transmission Housing set



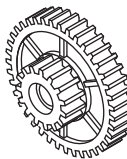
51202 X1
Motor Plate



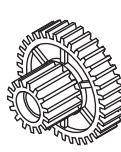
51203 X1
Pinion Gear Cap



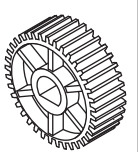
51204 X1
39/15T
Counter Gear



51205 X1
35/15T
Counter Gear

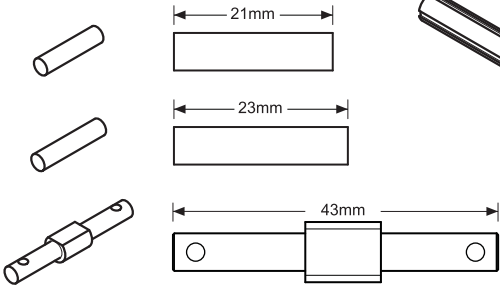


51206 X1
37T
Counter Gear

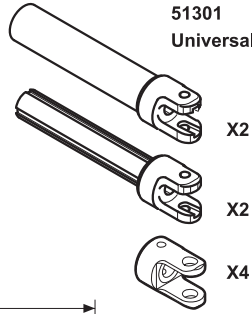


Part Reference

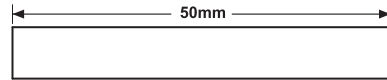
51207 X1
Counter Gear Shaft set



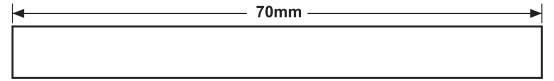
51301
Universal Shaft set



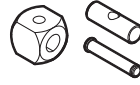
51303 X4
Upper Link



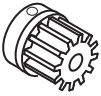
51304 X4
Lower Link



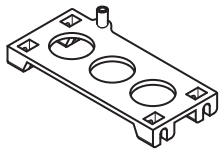
51302
U-Joint set X4



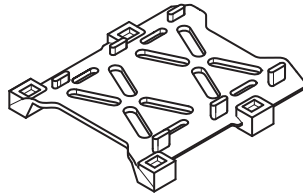
20142 X1
32Pitch 12T Pinion Gear



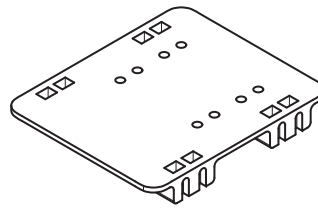
51402 X1
Radio Plate



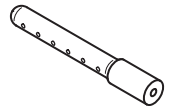
51403 X1
Battery Plate



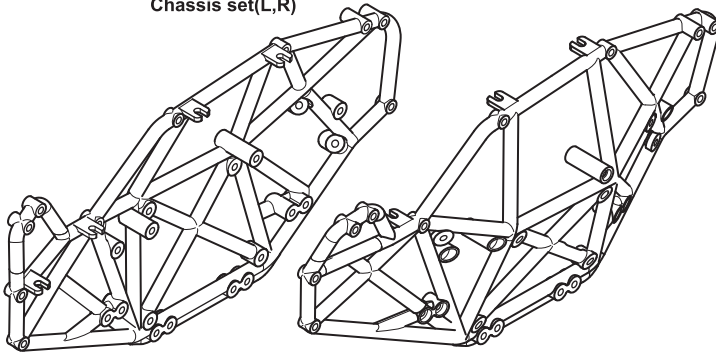
51404 X1
Center Skid Plate



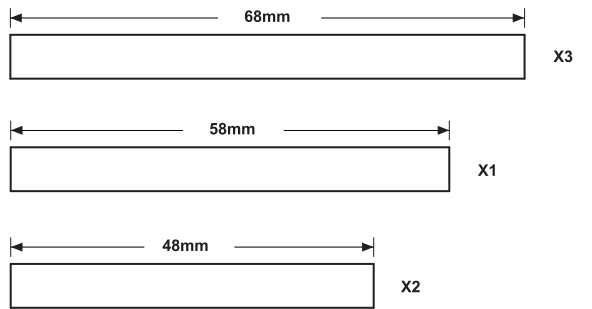
51405 X4
Body Post



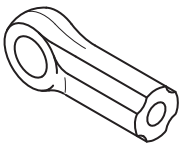
51401 X1
Chassis set(L,R)



51406 X1
Chassis Shaft set



6.8mm X20
Rod End



6.8mm X16
Rod End Ball



6.8mm X4
Ball Nut



51509 X1
Decal

51510 X1
Manual

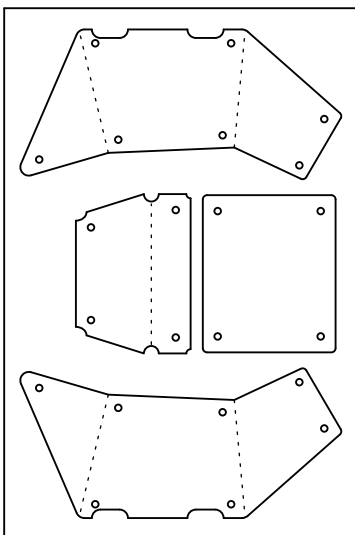
51503 X22
Ball Bearing 850



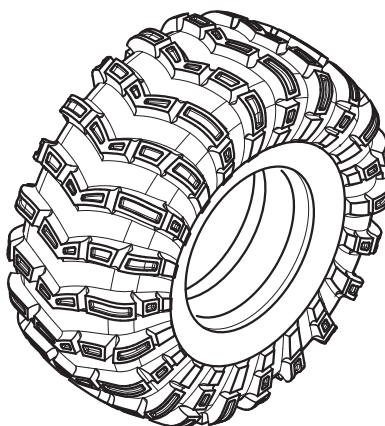
51503 X14
Ball Bearing 1150



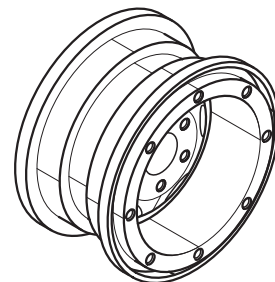
51508 X1
Body Panel



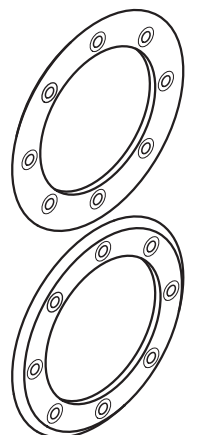
70001 X4
Bighorn Tire



70021 X4
GT Beadlock Wheel











70021 X8
Beadlock Wheel Ring





Part Reference




Round Head Screw

- 2.6X6mm X40 
- 3X8mm X1 
- 3X10mm X70 
- 3X12mm X11 
- 3X16mm X26 
- 3X20mm X10 
- 3X25mm X11 
- 3X30mm X10 



Flat Head Screw

- 3X25mm X1 
- 3X30mm X2 

Truss Head Screw

- 3X8mm X14 
- 3X10mm X8 
- 3X12mm X12 


Socket Set Screw

- 3X4mm X9 
- 4X20mm X16 


- 3X10mm Step Screw X4 


- Snap Pin X8 

- M3 Nut X24 


- M3 Nylon Lock Nut X44 

- M3 Flange Nut X22 

- 2.5mm E-Ring X10 

- 2mm E-Ring X4 



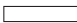
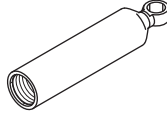
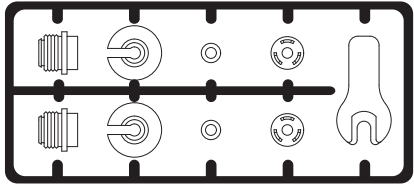
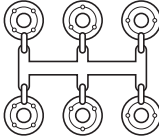


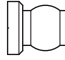
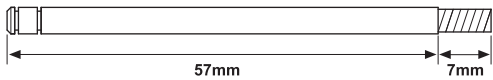
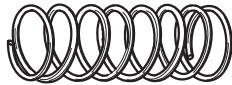

- O-Ring X8 

- 3mm Washer X8 

51502

- Releasable Tie X2
- Gear Grease X1
- 1.5mm L-Wrench X1
- 2.0mm L-Wrench X1
- Box Wrench X1

51601

- 12mm Wheel Hex Hub X4 
- M4 Wheel Nut X4 
- Axle Pin X4 
- 20611 X4 Shock Body 
- 20214 Shock Cartridge Parts Tree X2 
- Shock Piston Parts Tree X2 
- 20215 X4 Shock End Ball 
- 20216 X4 Shock End 
- 20217 X4 Shock Bushing 
- 20220 X1 Shock Oil
- 20612 57mm Shock Shaft X4 
- 20613 30mm Shock Spring X4 
- 13mm Shock Spring X4 

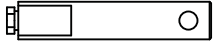
Main Axle Assembly

1

2.5mm X2 E-ring

Ball Bearing X4 1150

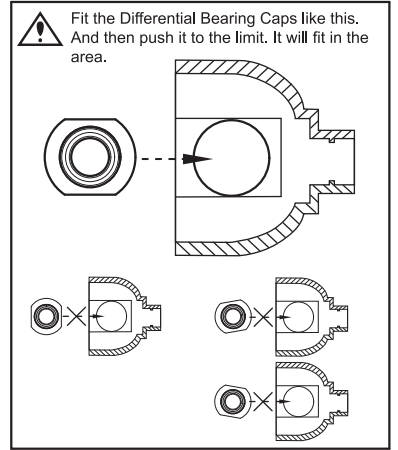
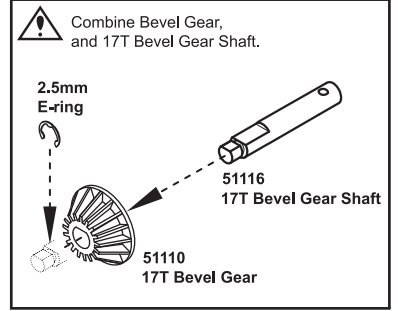
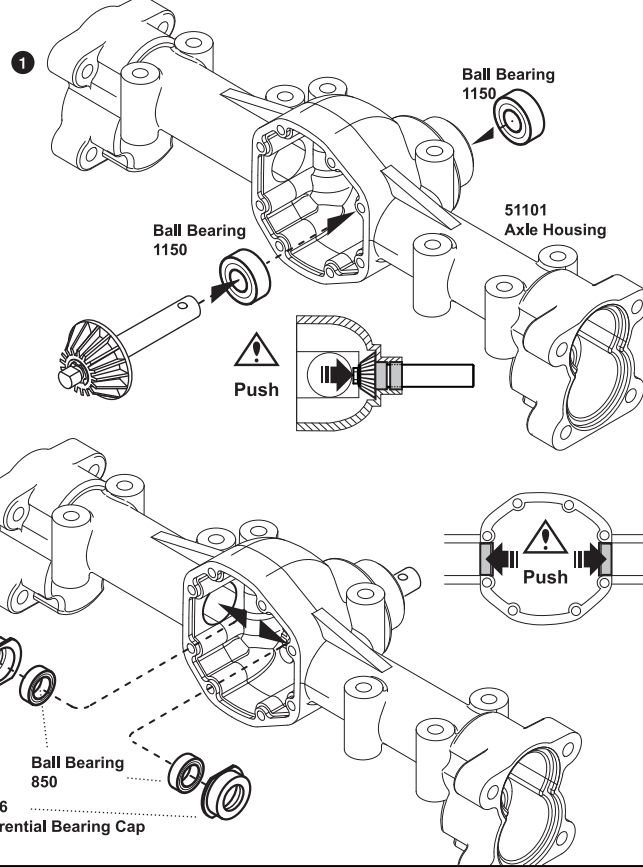
Ball Bearing X4 850



51116 X2 17T Bevel Gear Shaft

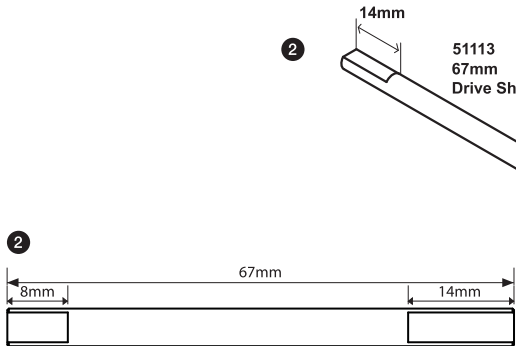
51106 X4 Differential Bearing Cap

1 ⚠️ Make 2.

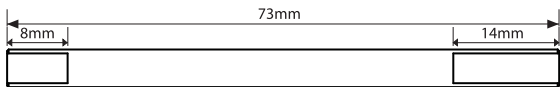


2

2 ⚠️ Make 2.

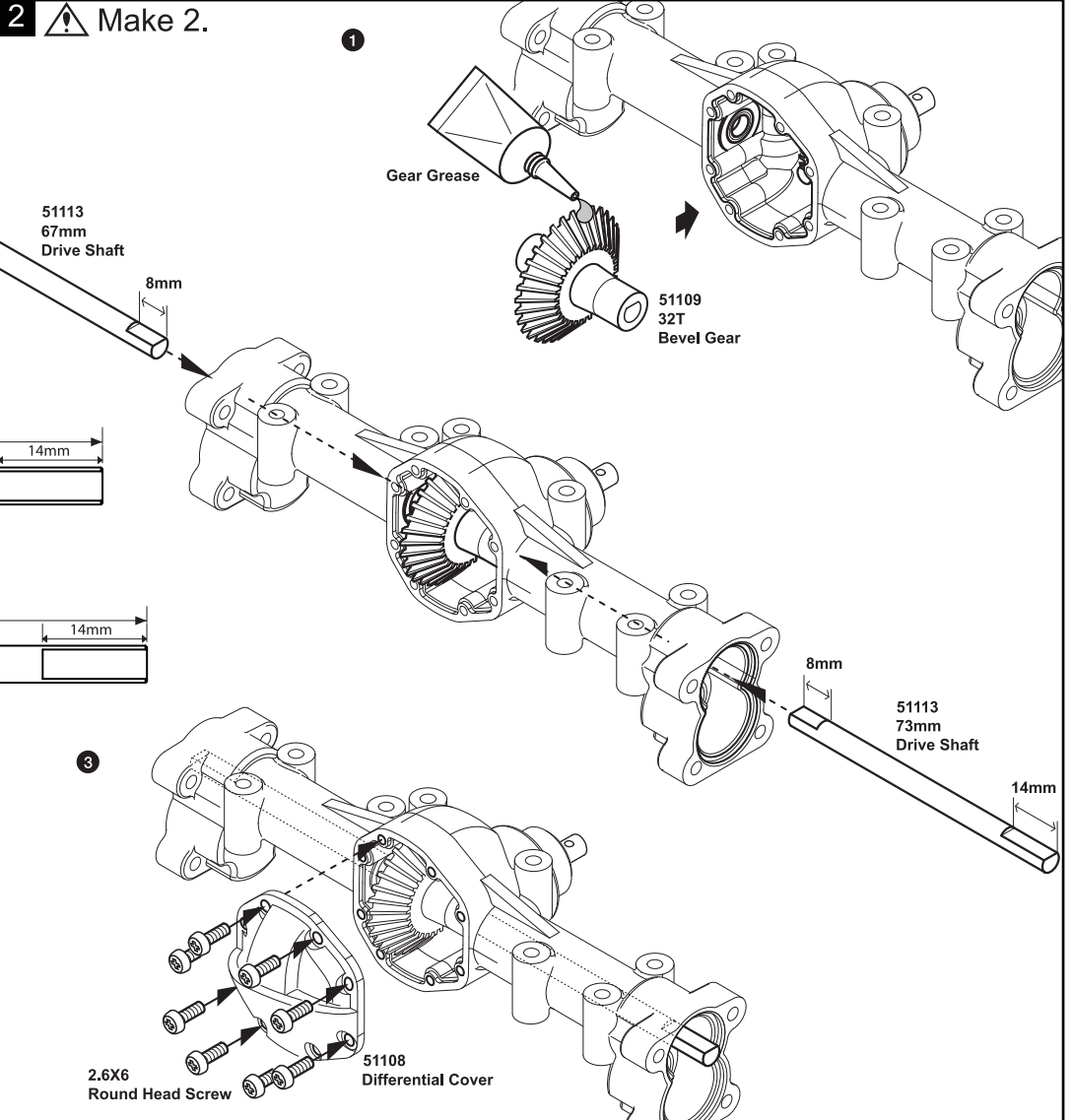


51113 X2 67mm Drive Shaft



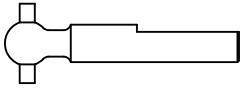
51113 X2 73mm Drive Shaft

Ⓜ️ 2.6X6mm X16 Round Head Screw



Front Portal Assembly

3



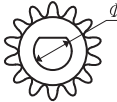
51114 X2
Front Portal Gear Shaft



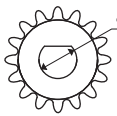
Ball Bearing X2
1150



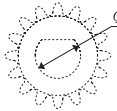
Ball Bearing X6
850



51111 X2
Front Portal Gear
(14T, Ø 5)



51111 X2
Front Portal Gear
(16T, Ø 5)



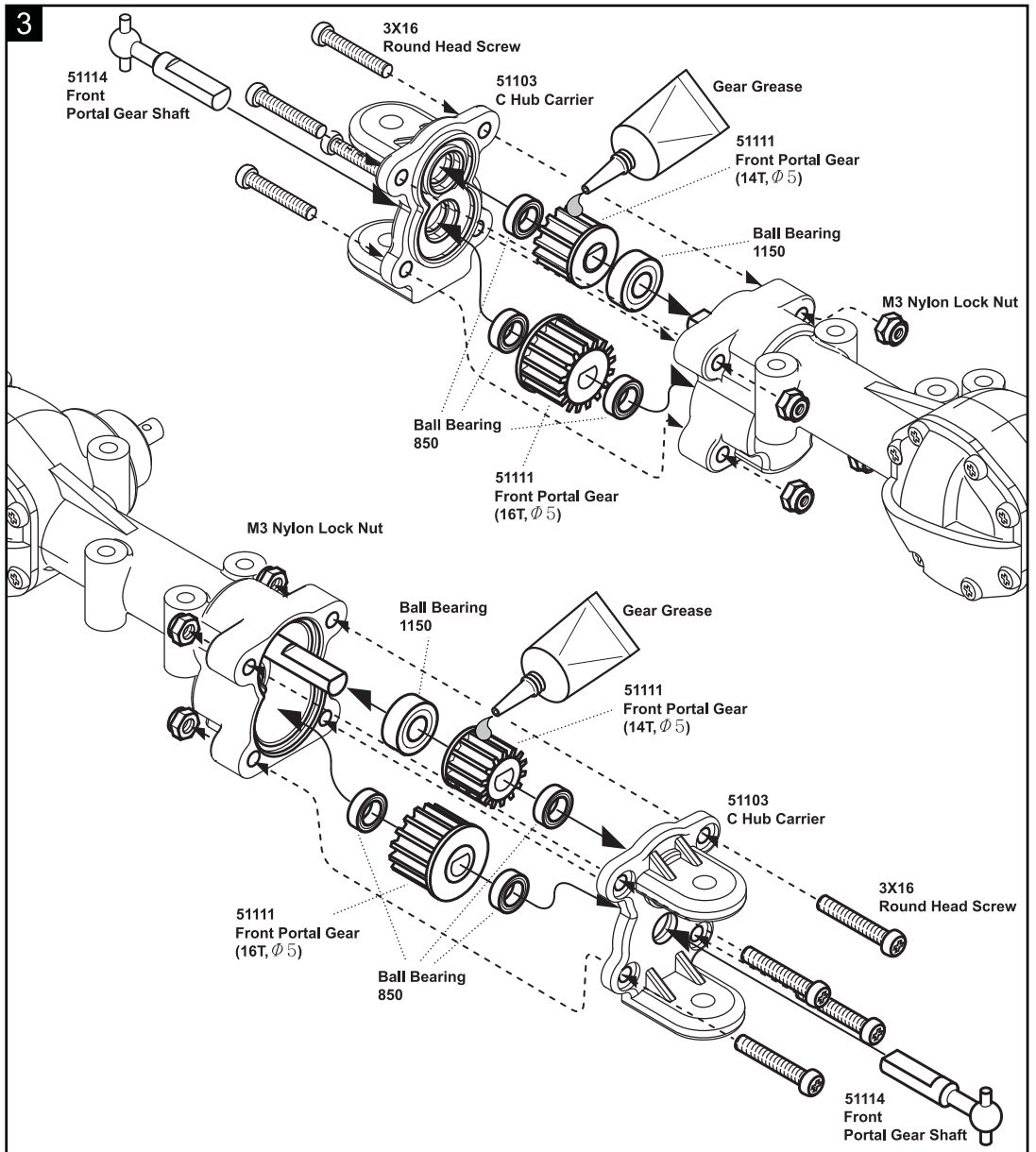
51112
Rear Portal Gear
(16T, Ø 6)



3X16mm X8
Round Head Screw



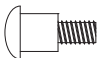
M3 Nylon Lock Nut X8



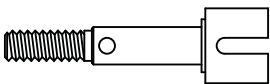
4



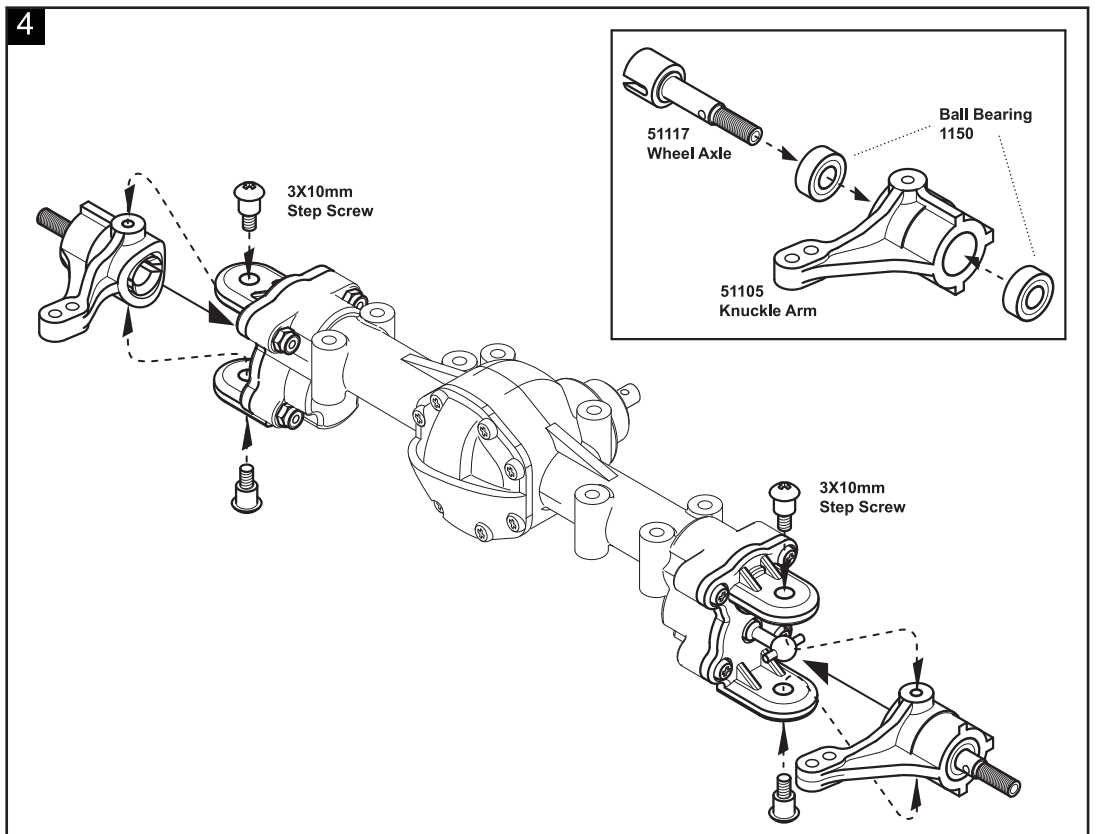
Ball Bearing X4
1150



3X10mm X4
Step Screw



51117 X2
Wheel Axle



Front Link Mounts

5



3X30mm X2
Round Head Screw



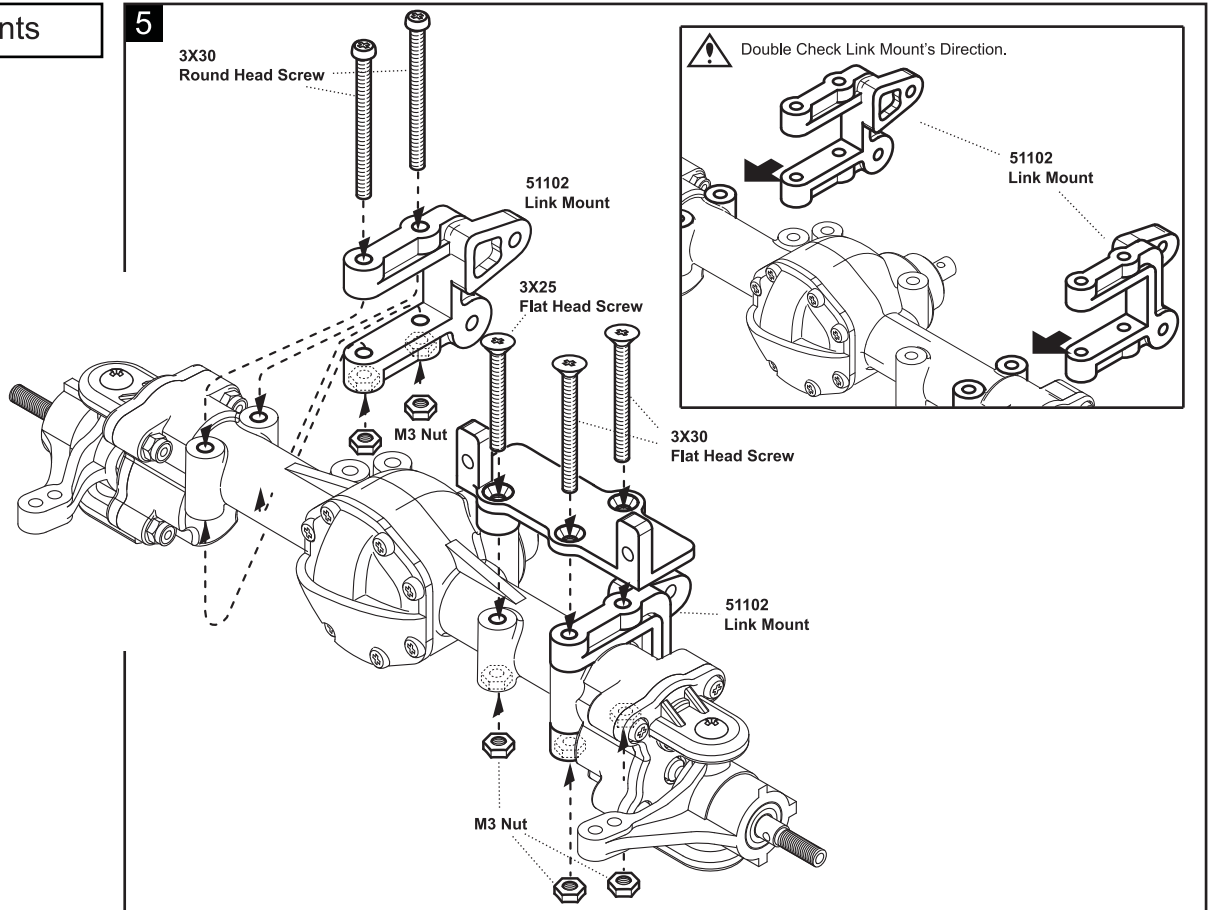
3X25mm X1
Flat Head Screw



3X30mm X2
Flat Head Screw

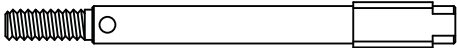


M3 Nut X5



Rear Portal Assembly

6



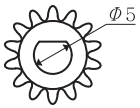
51115 X2
Rear Portal Gear Shaft



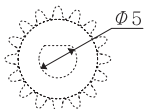
Ball Bearing X4
1150



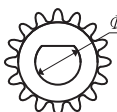
Ball Bearing X6
850



51112 X2
Rear Portal Gear
(14T, $\phi 5$)



51111
Front Portal Gear
(16T, $\phi 5$)



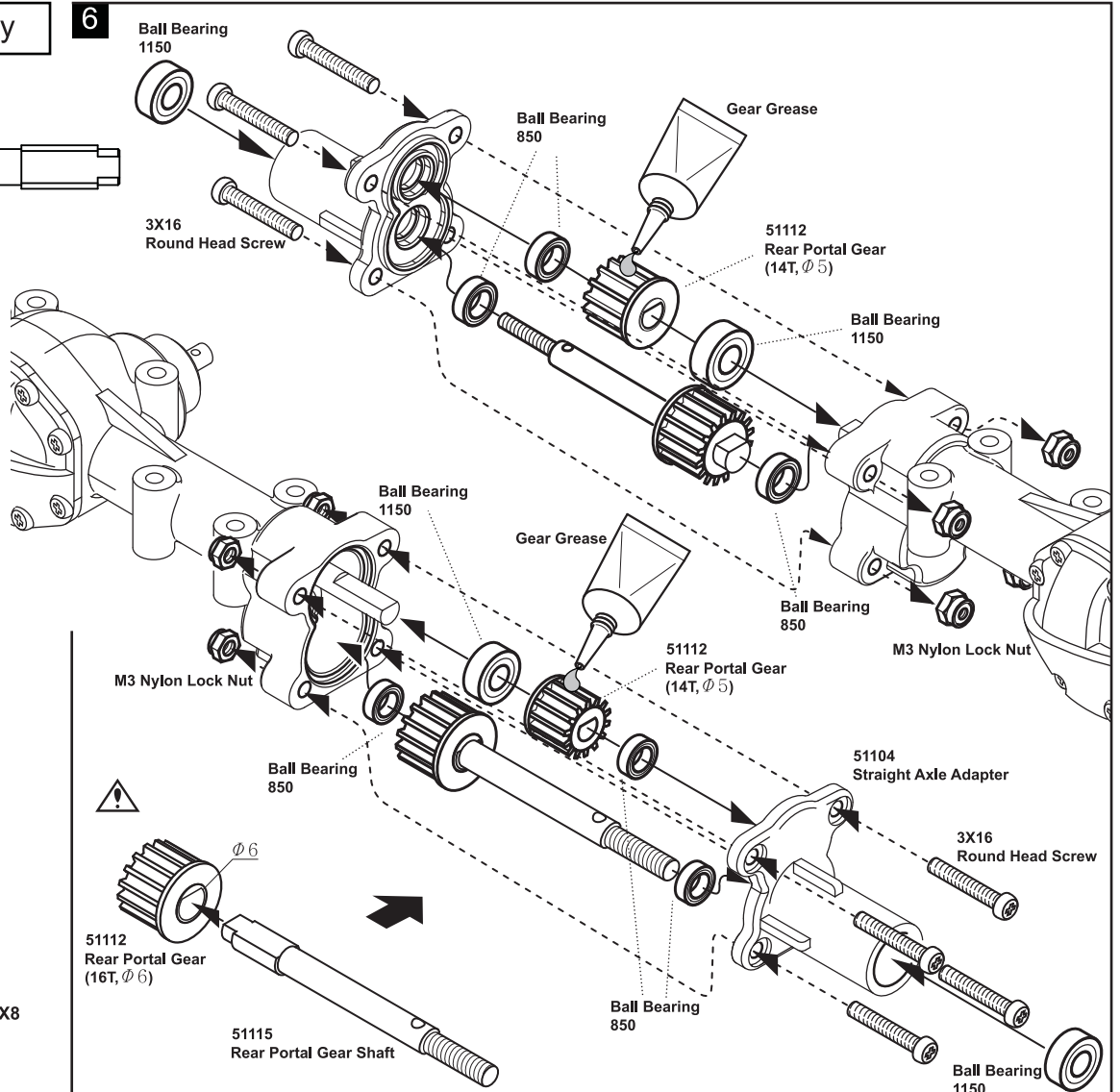
51112 X2
Rear Portal Gear
(16T, $\phi 6$)



3X16mm X8
Round Head Screw



M3 Nylon Lock Nut X8

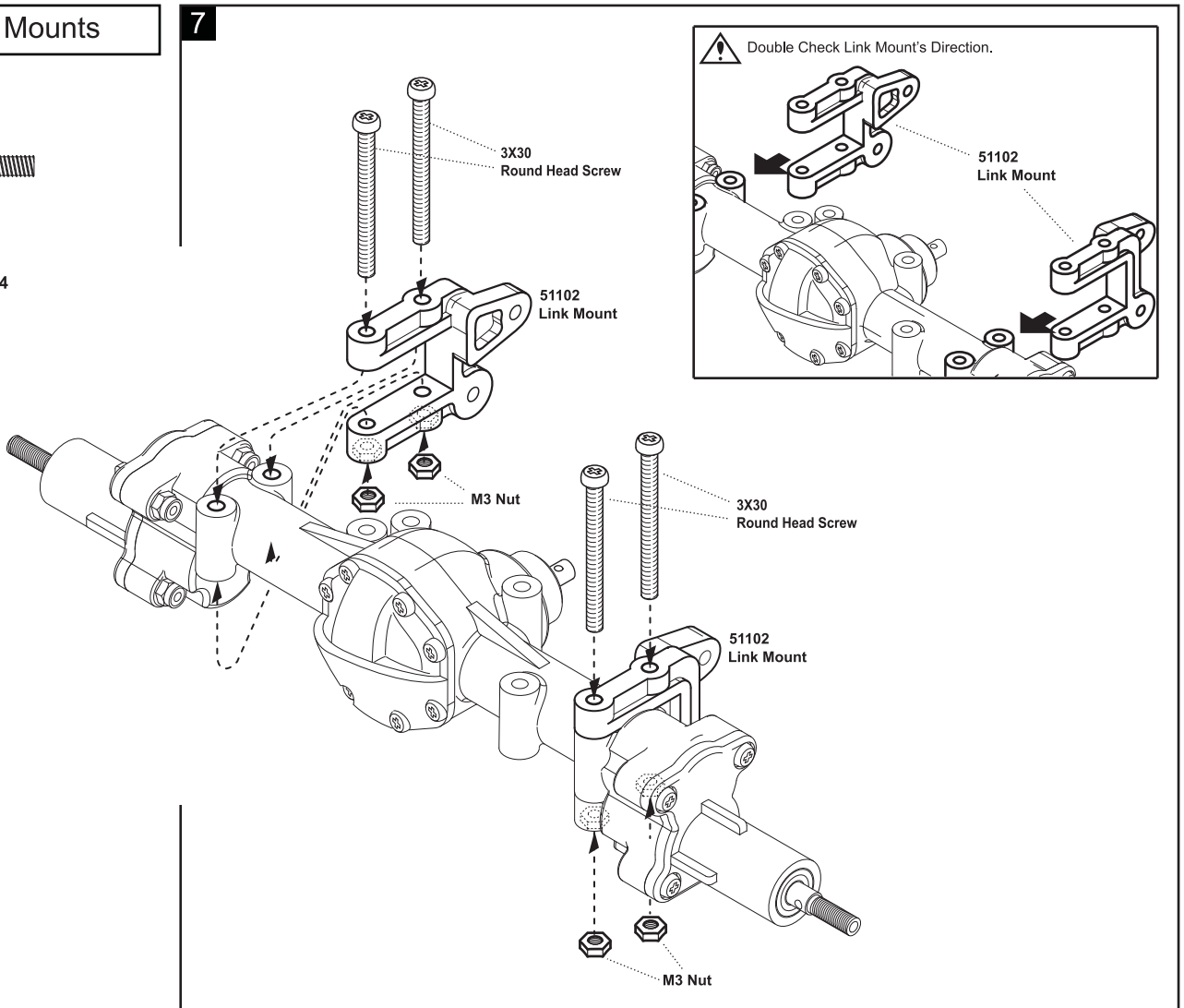


Rear Link Mounts

7



3X30mm X4
Round Head Screw

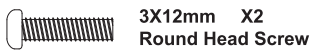


Servo Mount

8



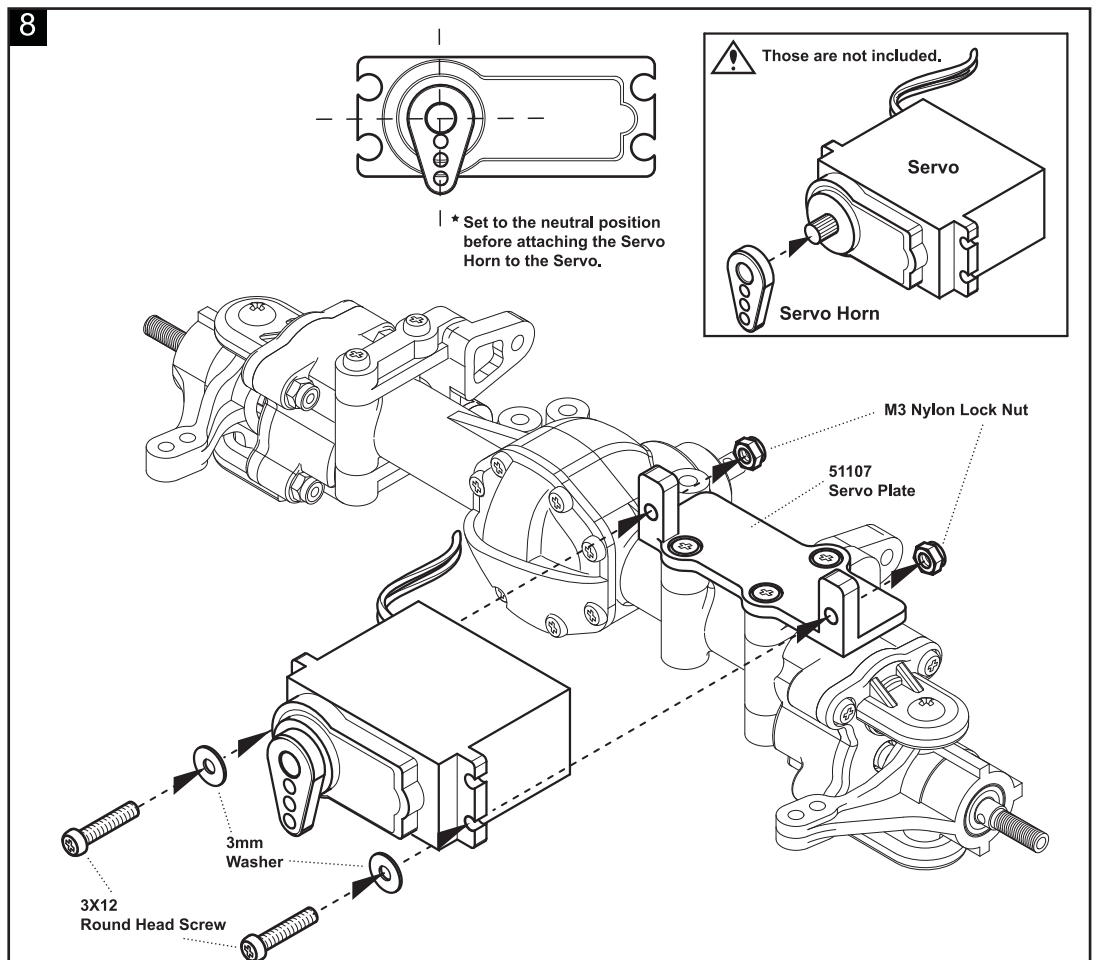
3mm X2
Washer



3X12mm X2
Round Head Screw

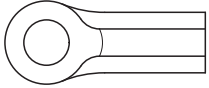


M3 Nylon Lock Nut X2



Steering Linkage

9

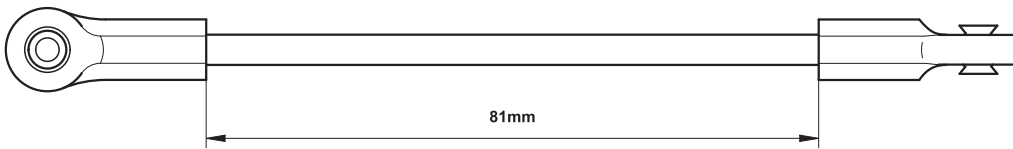
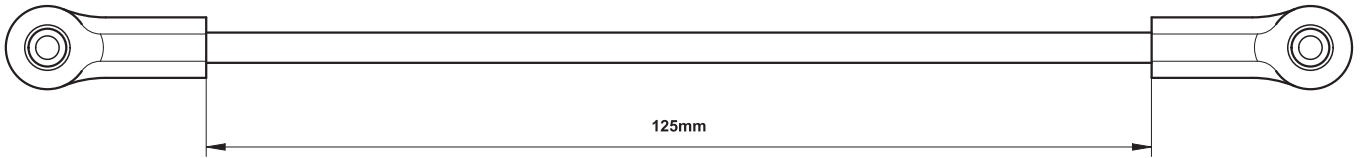
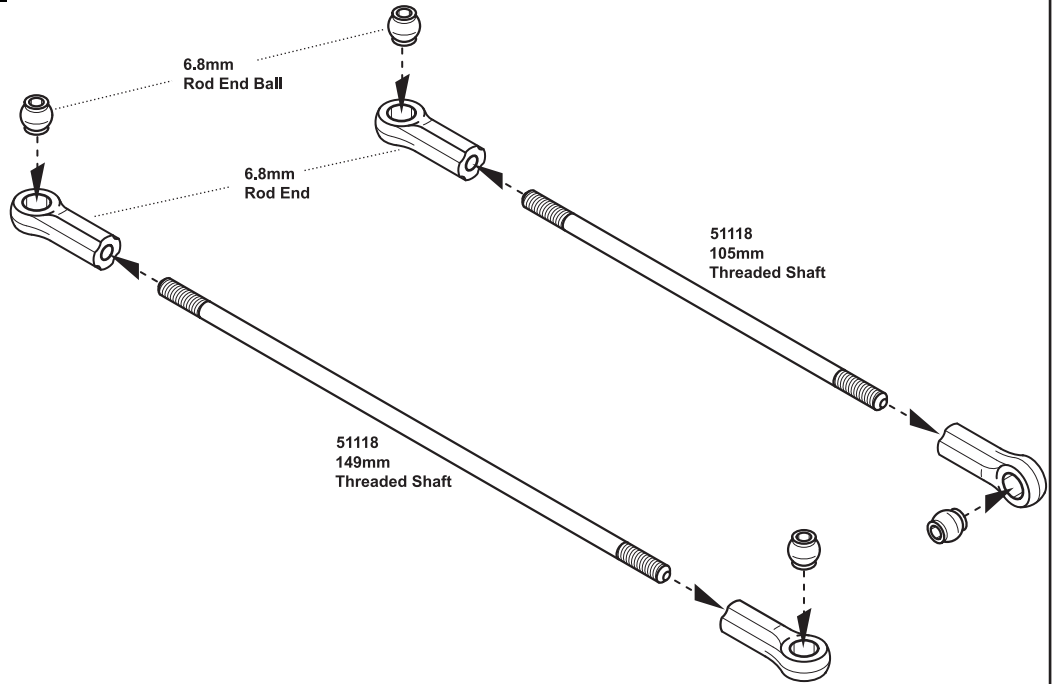


6.8mm X4 Rod End



6.8mm X4 Rod End Ball

9



10



3X16mm X1 Round Head Screw



3X20mm X1 Round Head Screw



3X25mm X1 Round Head Screw

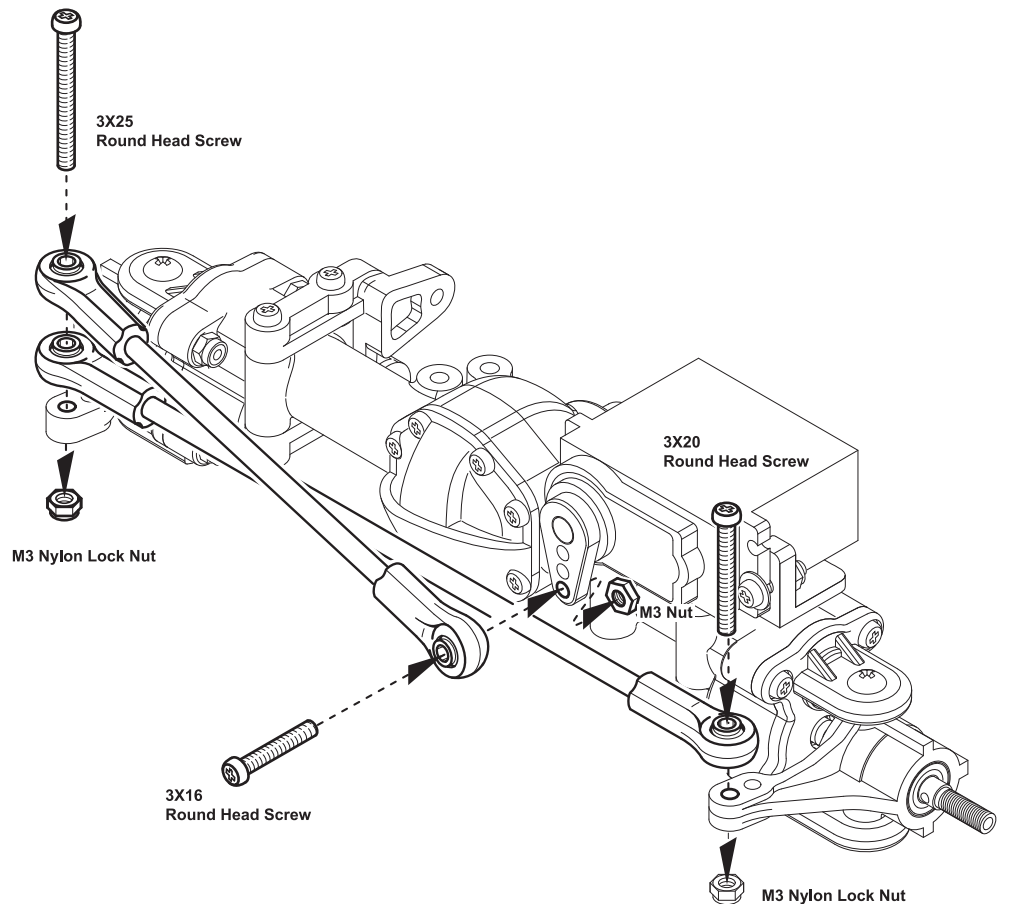


M3 Nut X1



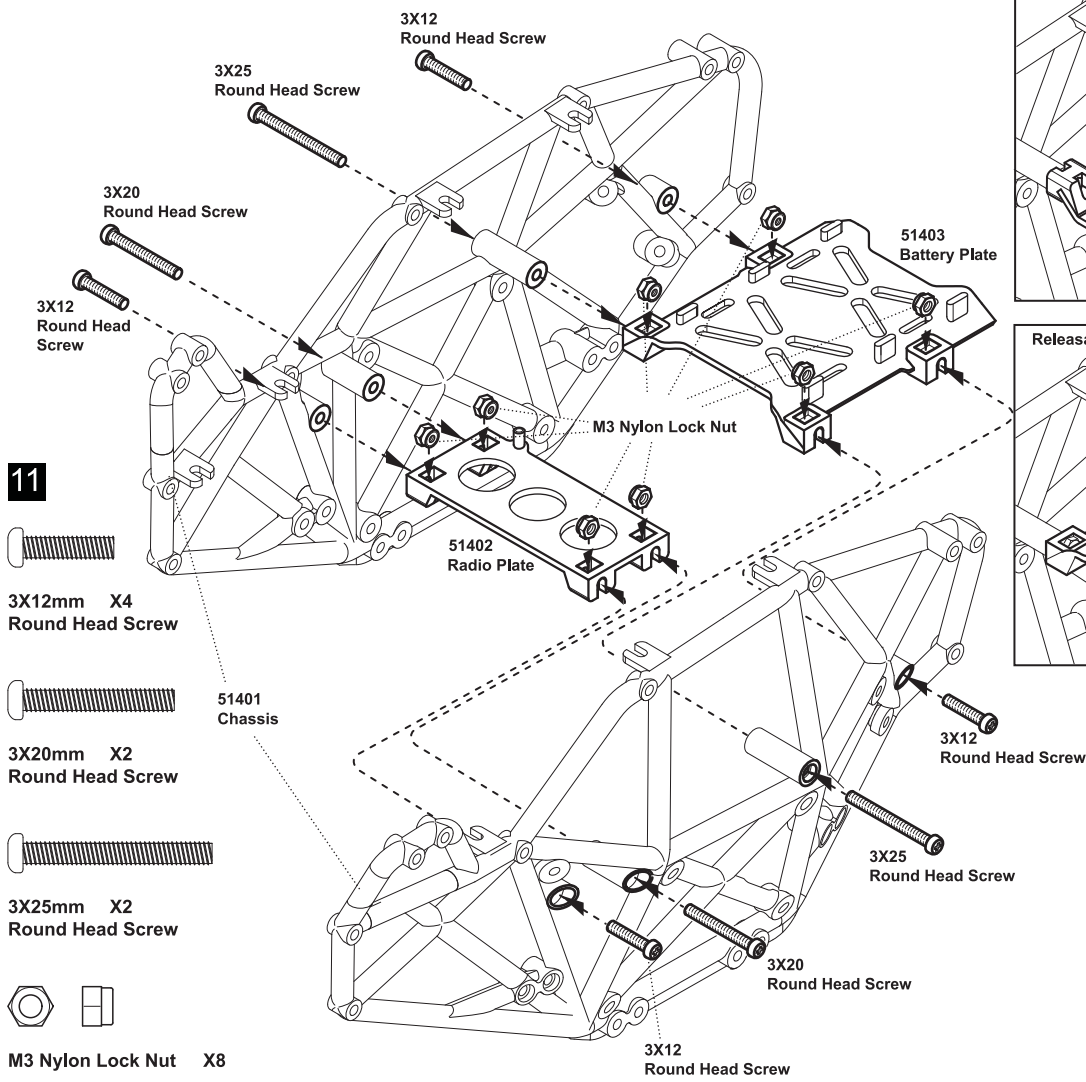
M3 Nylon Lock Nut X2

10

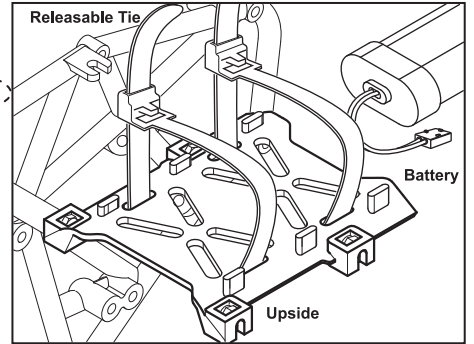
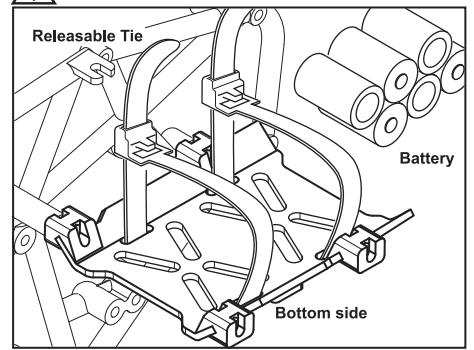


Chassis

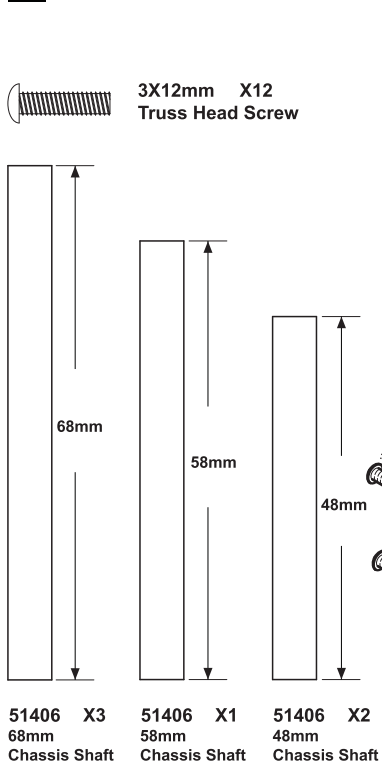
11



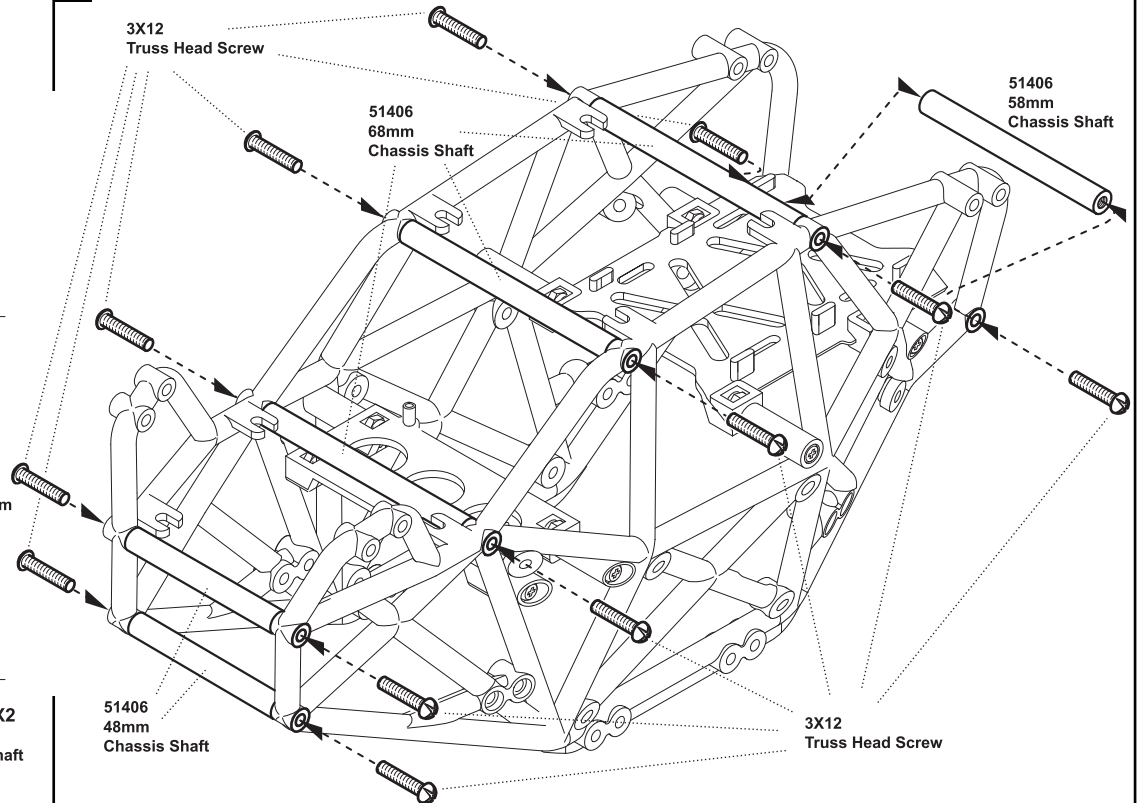
⚠ Both Batteries are not included.



12



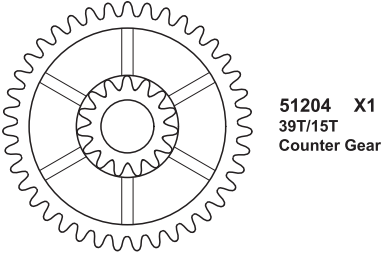
12



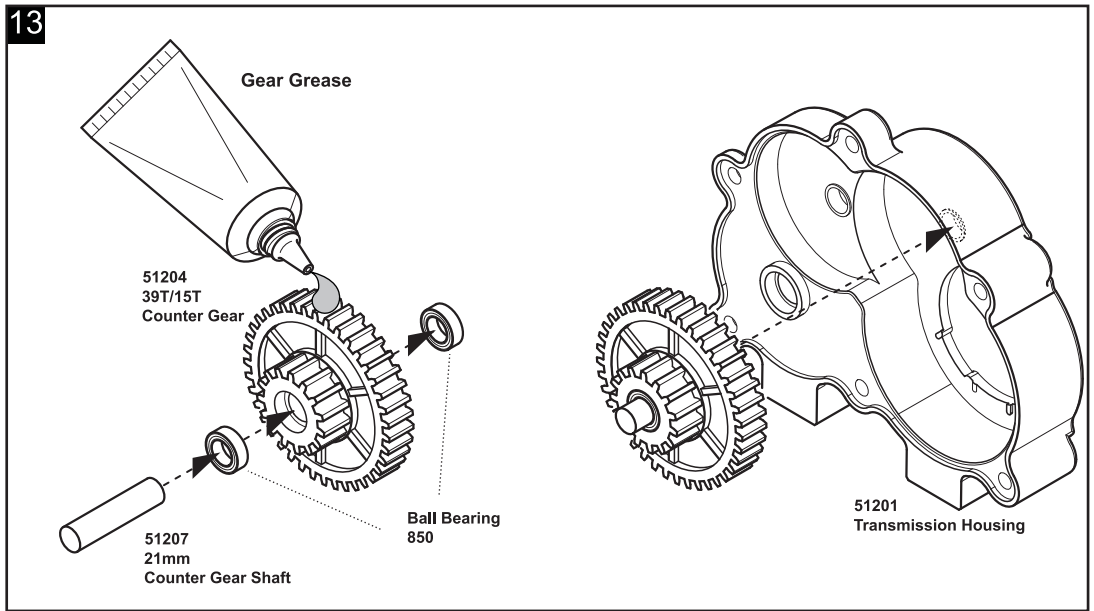
Transmission Assembly

13

- Ball Bearing X2
850
- 51207 X1
21mm
Counter Gear Shaft

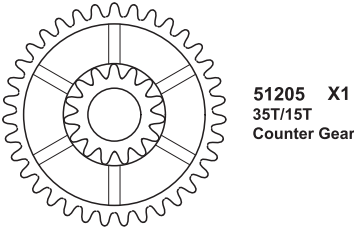


51204 X1
39T/15T
Counter Gear

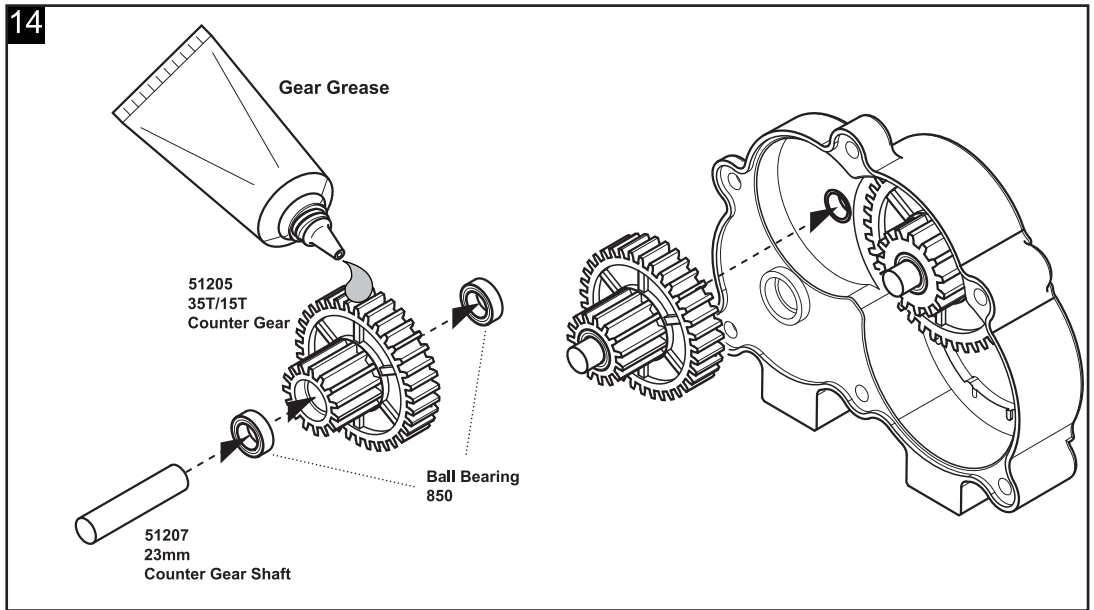


14

- Ball Bearing X2
850
- 51207 X1
23mm
Counter Gear Shaft

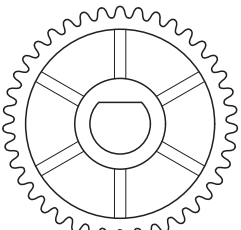


51205 X1
35T/15T
Counter Gear

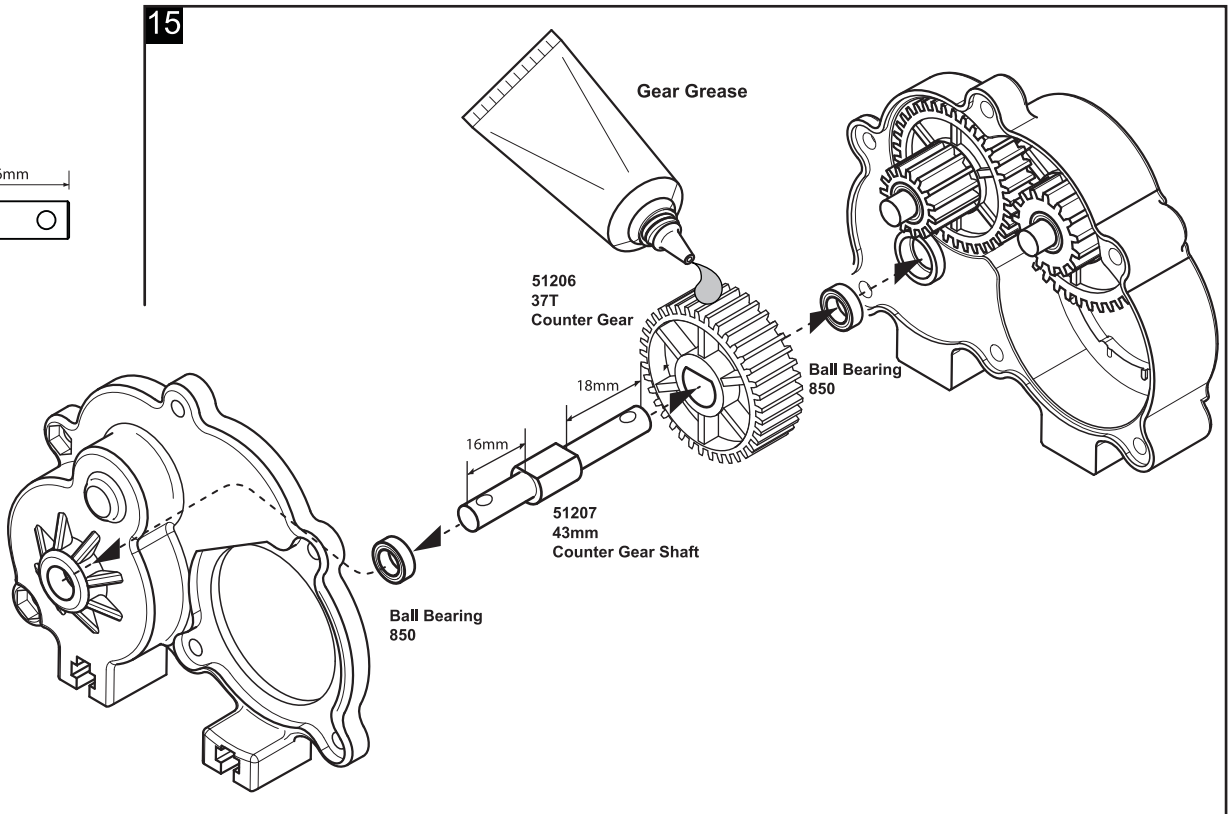


15

- Ball Bearing X2
850
- 51207 X1
43mm
Counter Gear Shaft

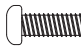
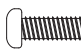
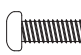





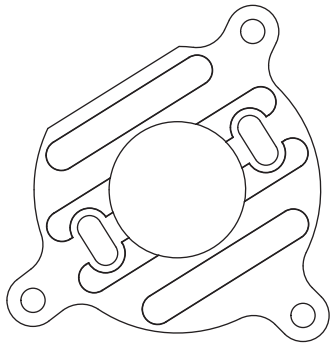
51206 X1
37T
Counter Gear



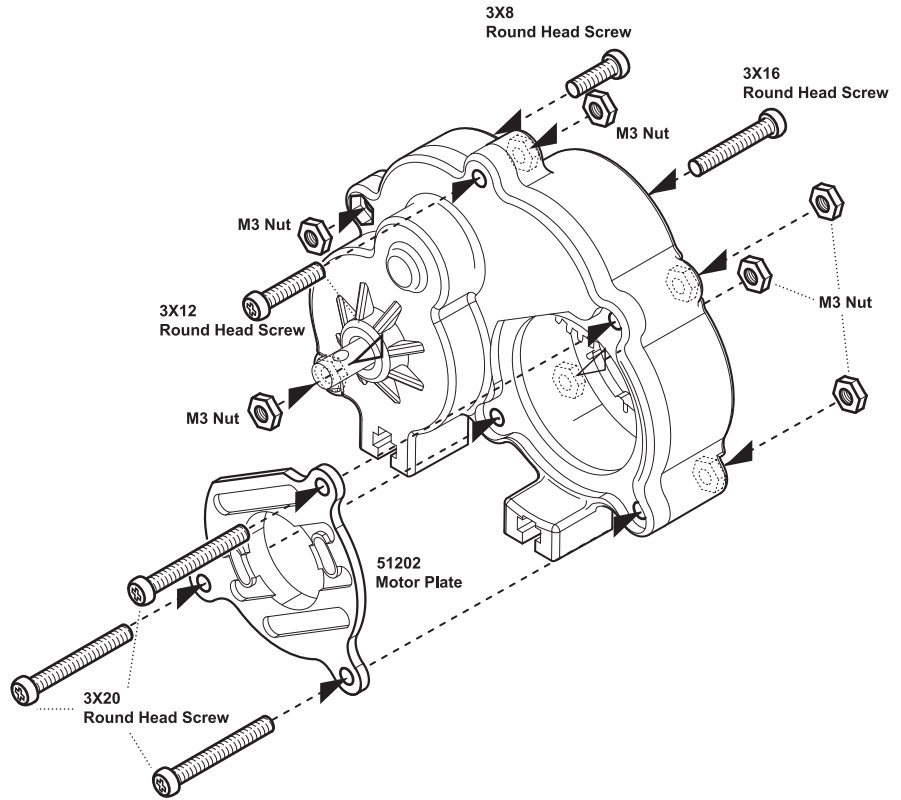
Transmission Housing Assembly

16

-  3X8mm X1 Round Head Screw
-  3X12mm X1 Round Head Screw
-  3X16mm X1 Round Head Screw
-  3X20mm X3 Round Head Screw
-   M3 Nut X6



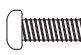


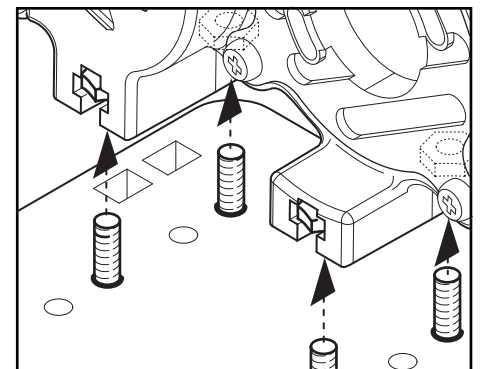
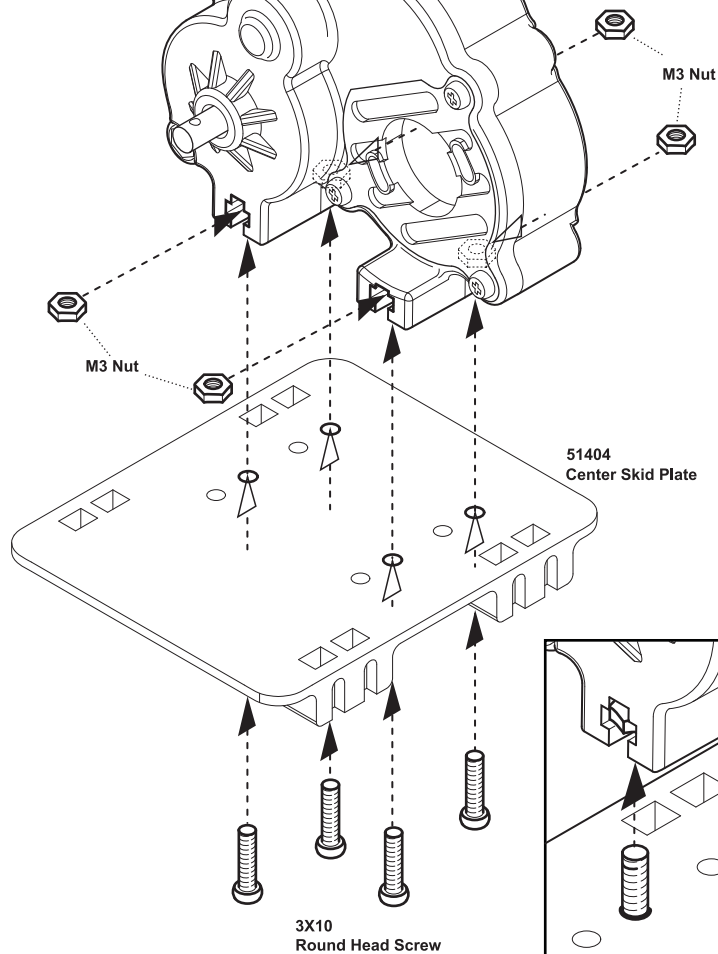
16



51202 X1 Motor Plate

17

-   M3 Nut X4
-  3X10mm X4 Round Head Screw



Motor

18

3X4mm X1
Socket Set Screw

3mm X2
Washer

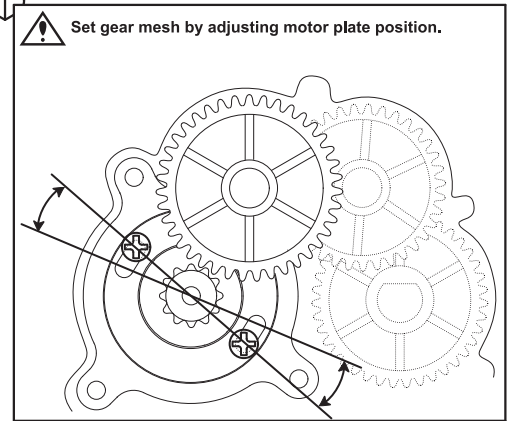
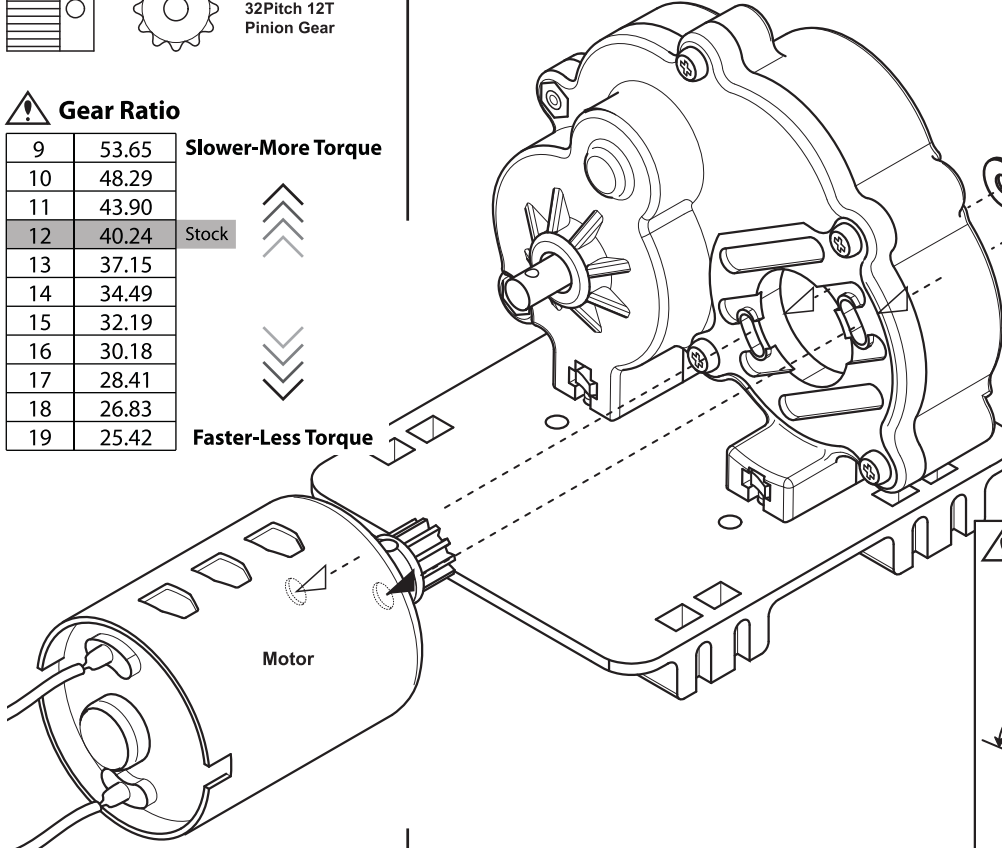
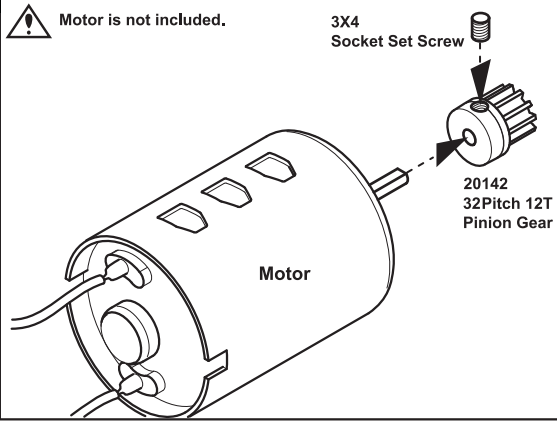
3X10mm X2
Round Head Screw

20142 X1
32Pitch 12T
Pinion Gear

⚠ Gear Ratio

9	53.65	Slower-More Torque
10	48.29	
11	43.90	Stock
12	40.24	
13	37.15	
14	34.49	Faster-Less Torque
15	32.19	
16	30.18	
17	28.41	
18	26.83	
19	25.42	

18



Universal Shafts Assembly

19

51301 X2
Universal Shaft set

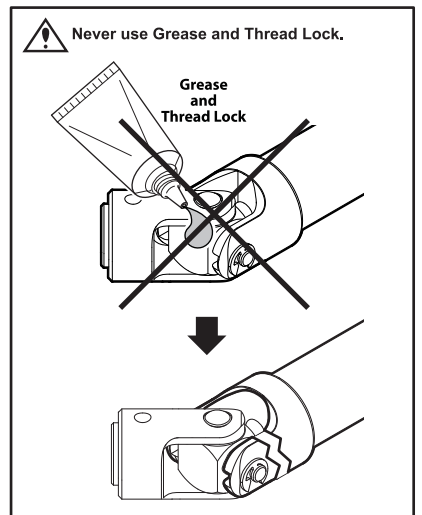
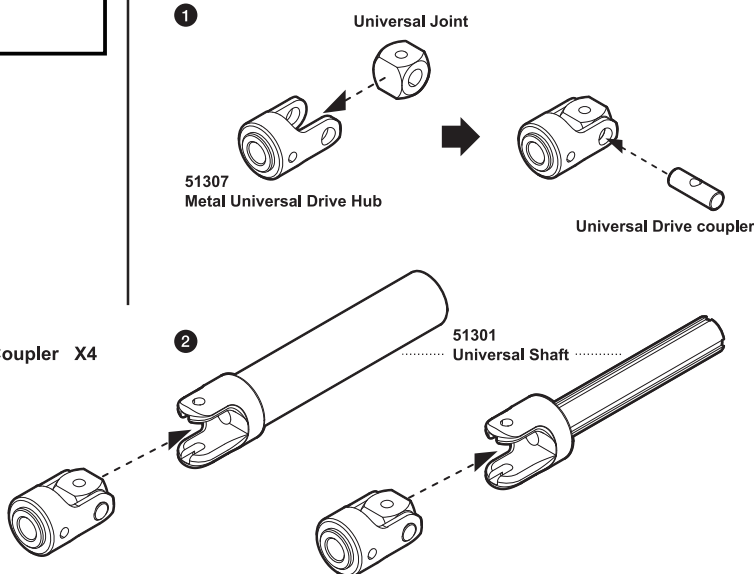
Universal Joint X4

Universal Drive Coupler X4

51307 X4
Metal Universal Drive Hub

19

⚠ Make 2.



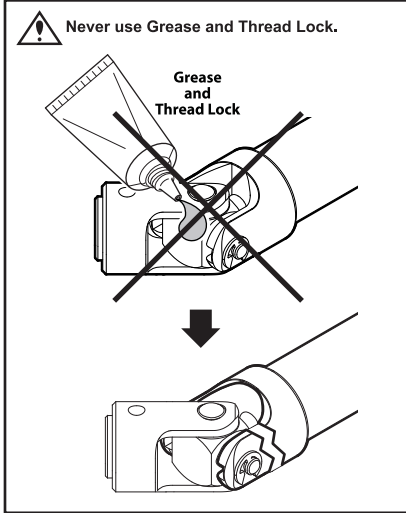
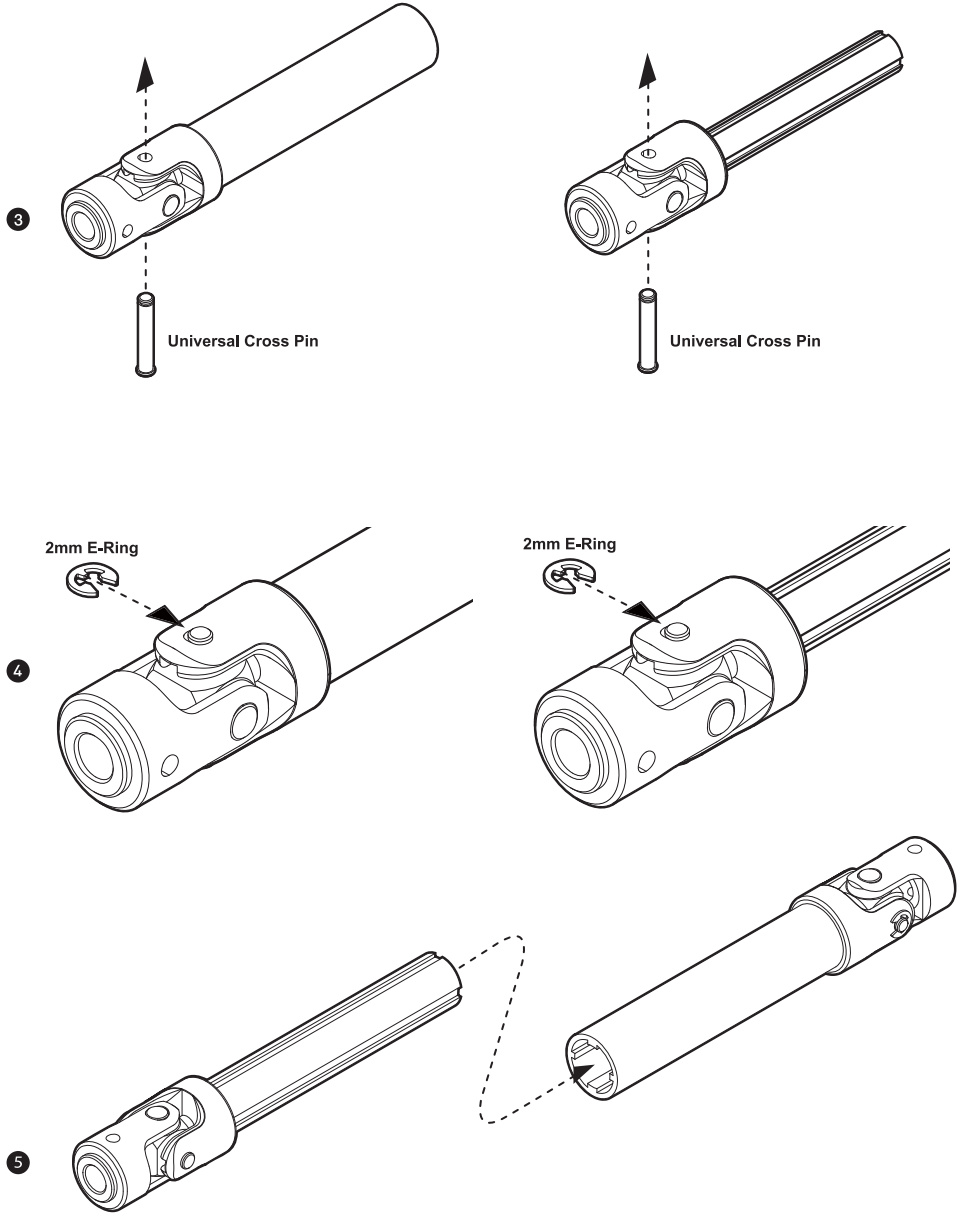
Universal Shafts Assembly

19

 2mm X4
E-Ring

 Universal Cross Pin X4

19  Make 2.

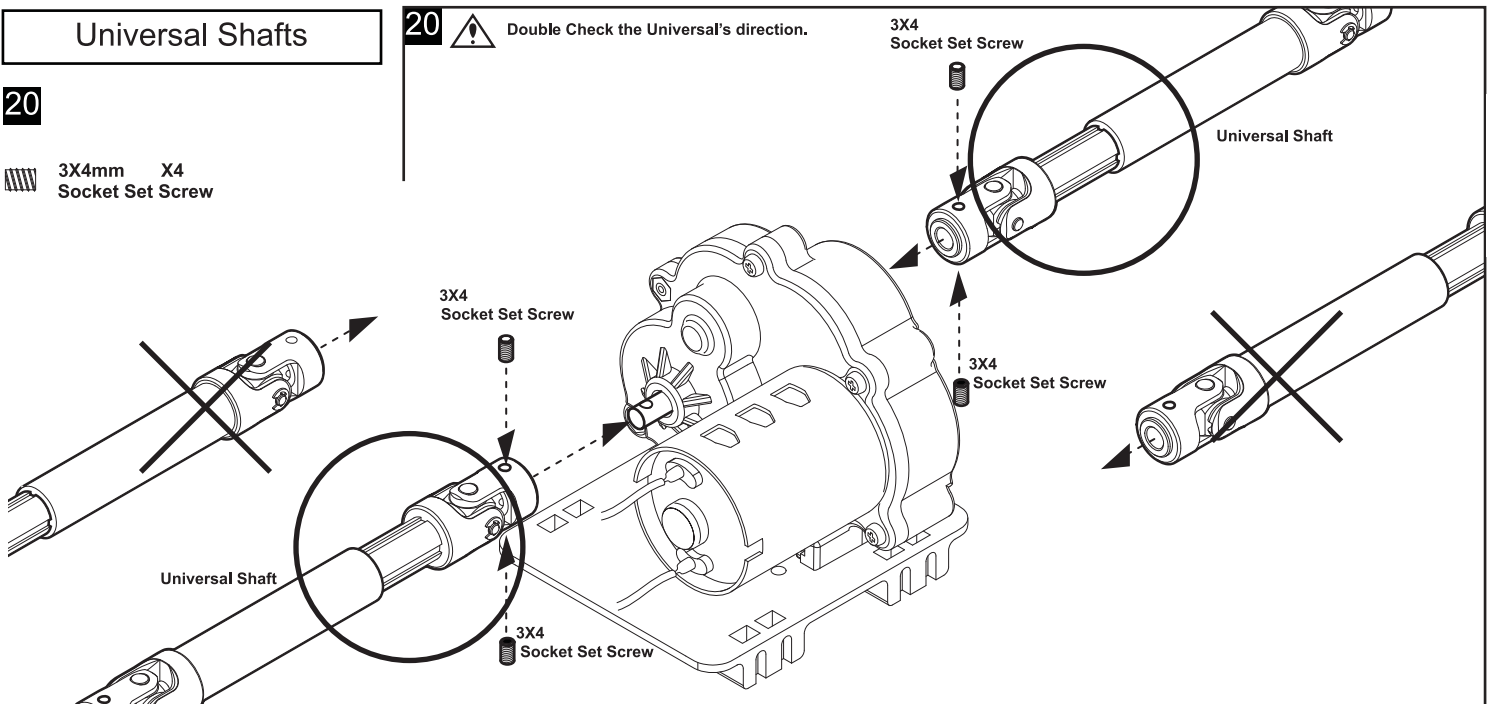


Universal Shafts

20

 3X4mm X4
Socket Set Screw

20  Double Check the Universal's direction.

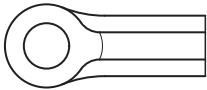


Suspension Links

21



4X20mm X16
Socket Set Screw



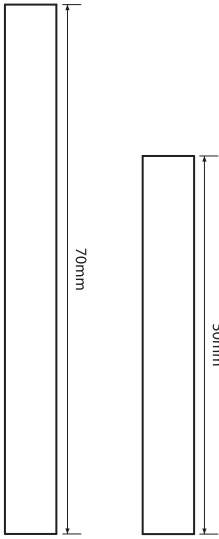
6.8mm X16
Rod End



6.8mm X4
Ball Nut



6.8mm X12
Rod End Ball



51304 X4
Lower Link

51303 X4
Upper Link

22



3X20mm X2
Round Head Screw



3X30mm X2
Round Head Screw

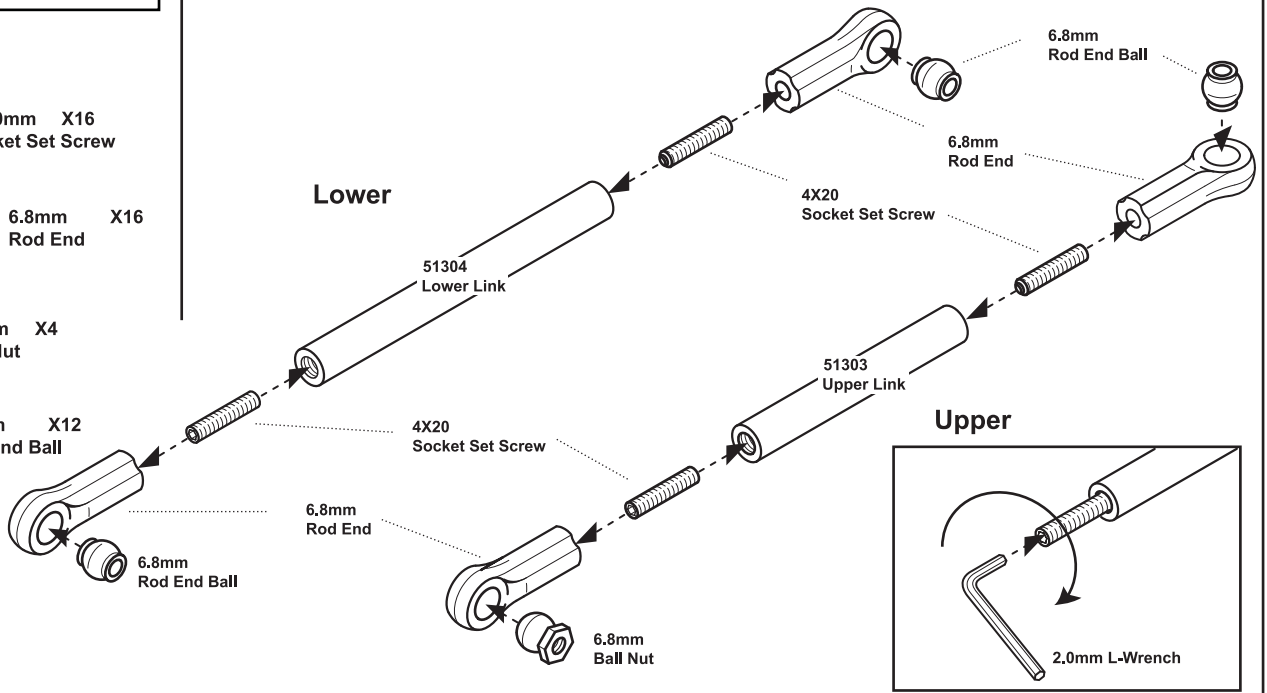


M3 Nut X2

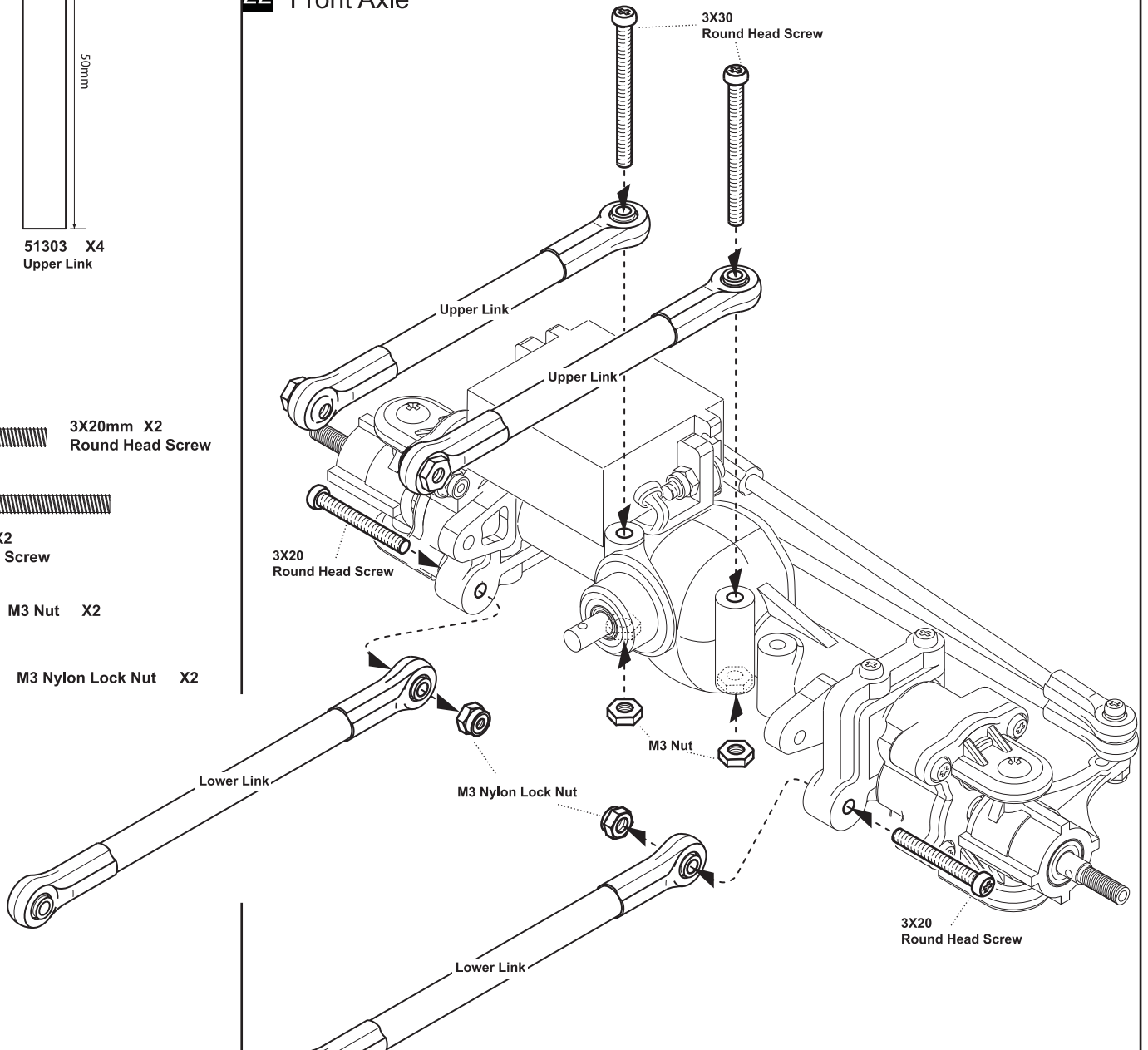


M3 Nylon Lock Nut X2

21 ⚠️ Make 4 Suspension Rods for each one.




22 Front Axle



Suspension Links

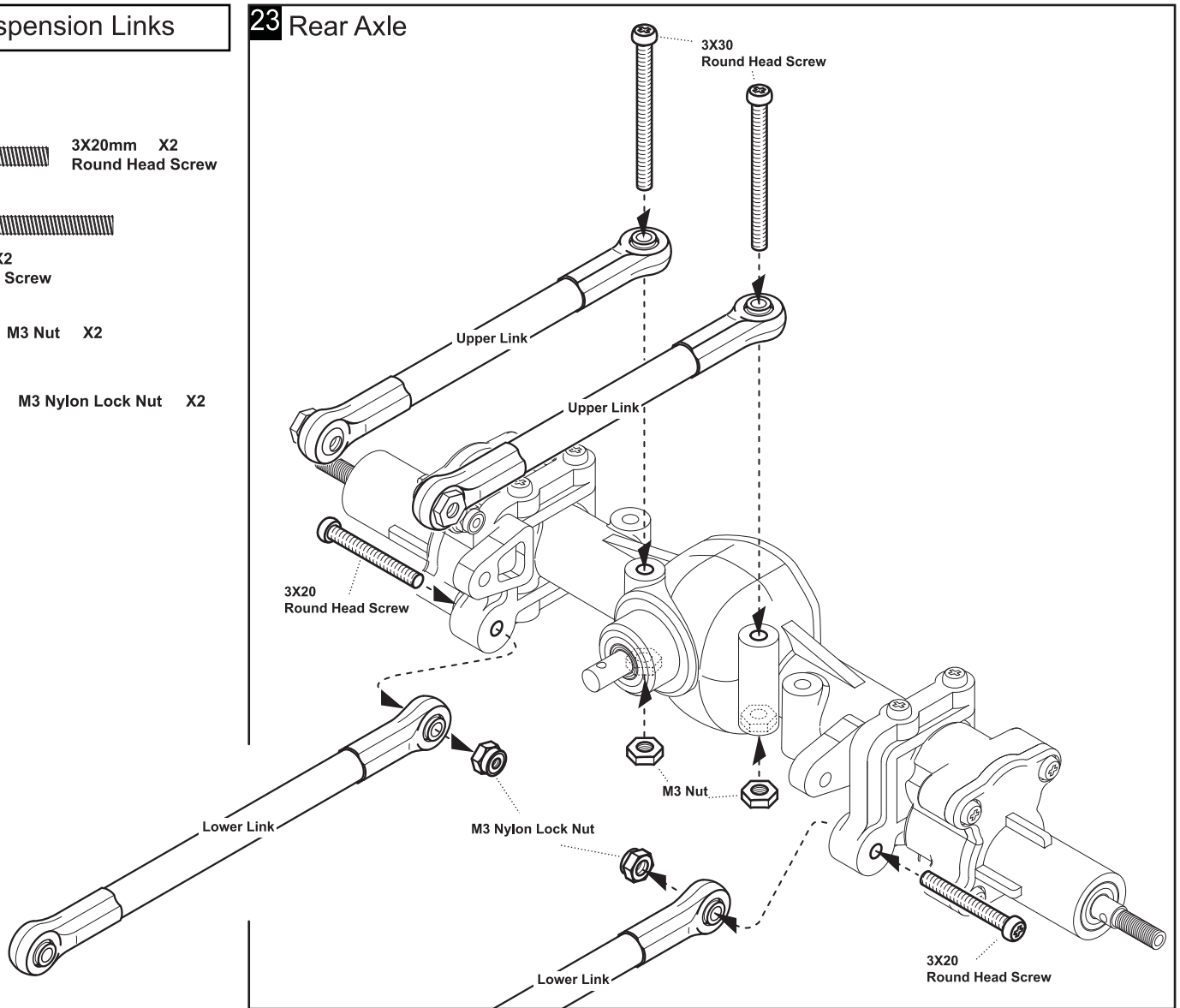
23

 3X20mm X2
Round Head Screw

 3X30mm X2
Round Head Screw

  M3 Nut X2

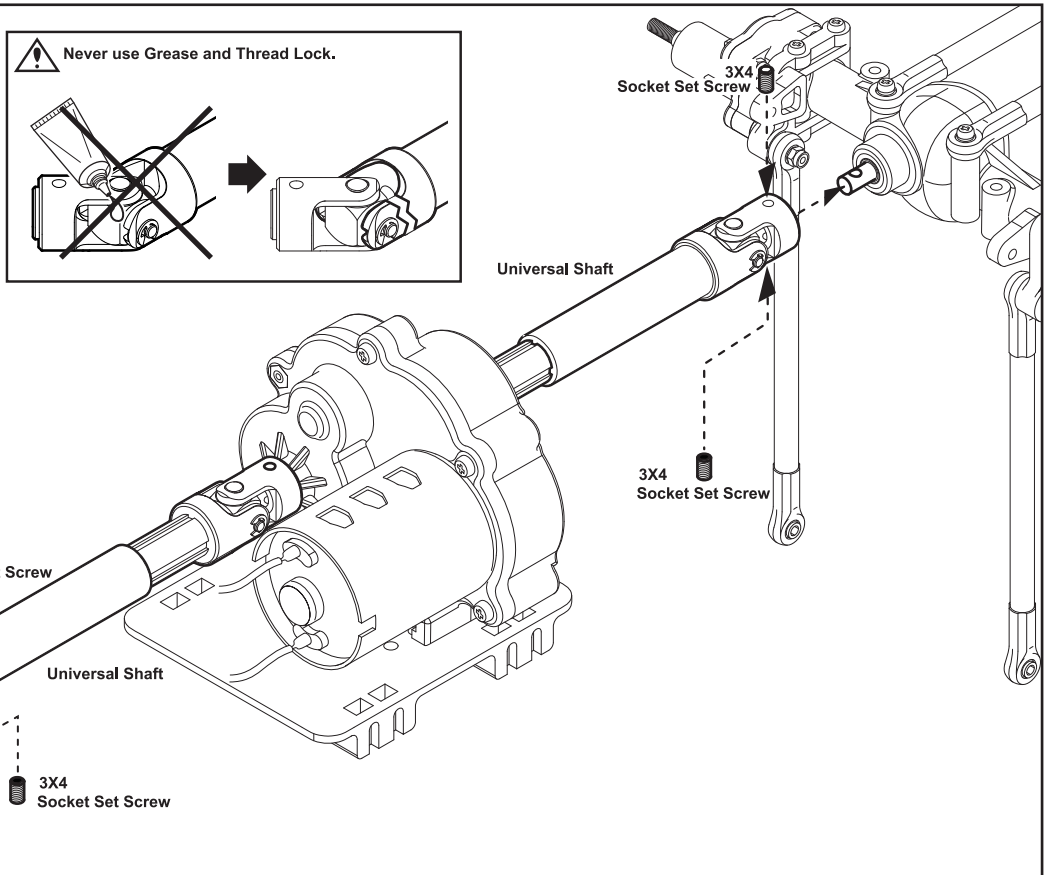
  M3 Nylon Lock Nut X2



Universal Shafts

24


 3X4mm X4
Socket Set Screw



Chassis & Suspension Links

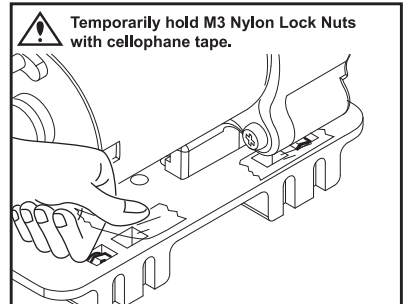
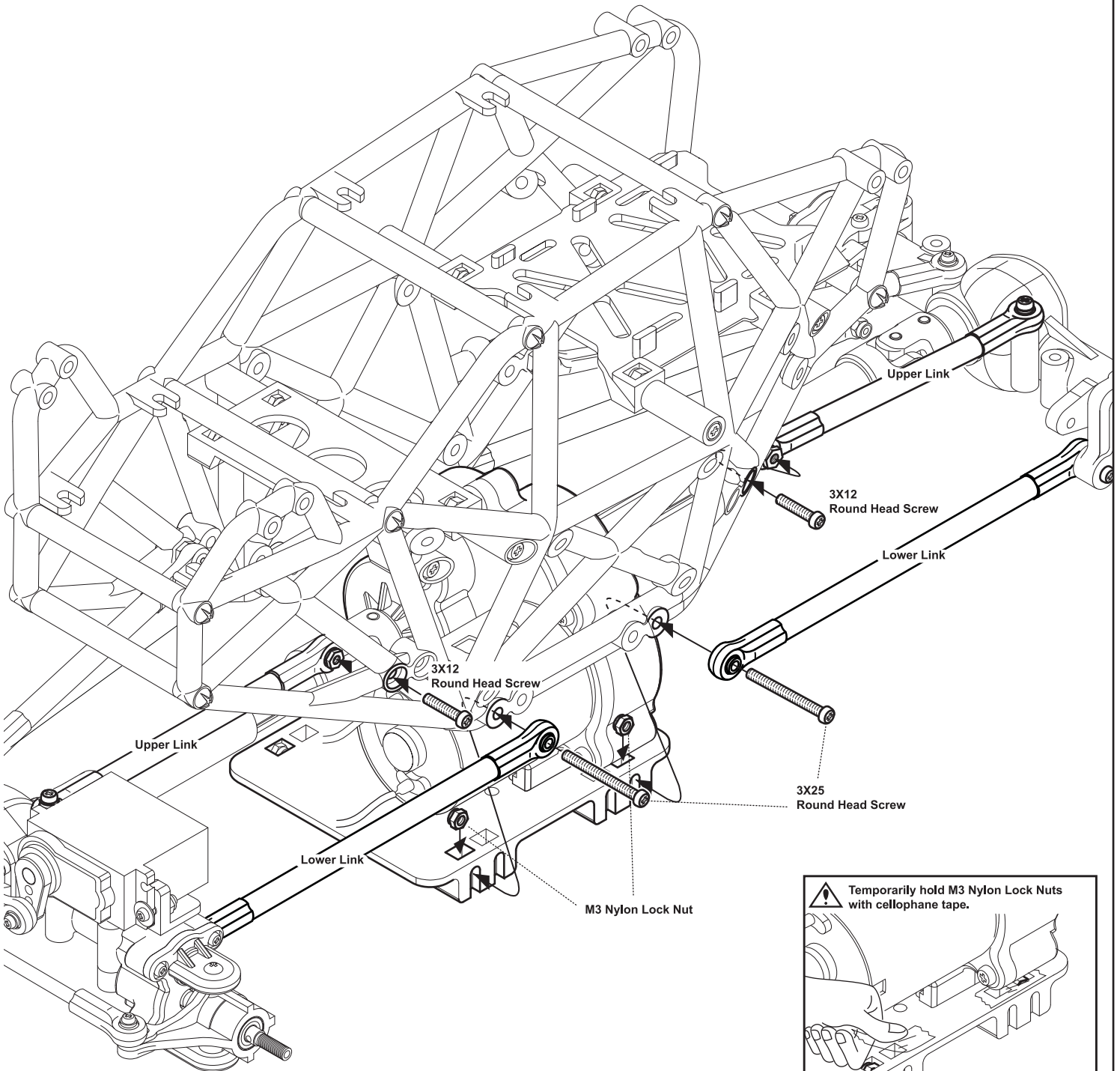
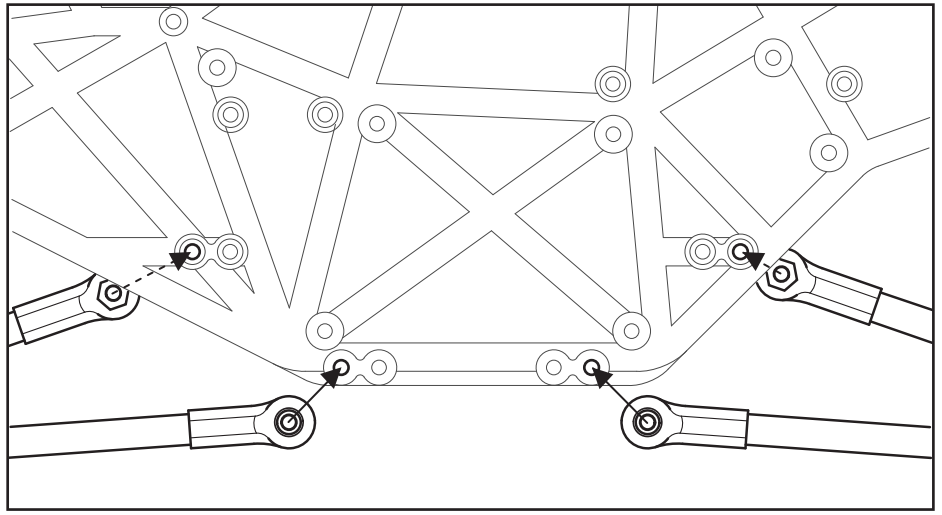
25

25

 3X12mm X4
Round Head Screw

 3X25mm X4
Round Head Screw

 M3 Nylon Lock Nut X4



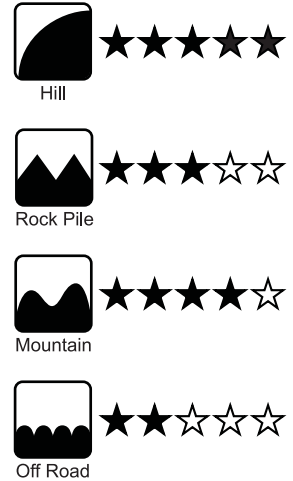
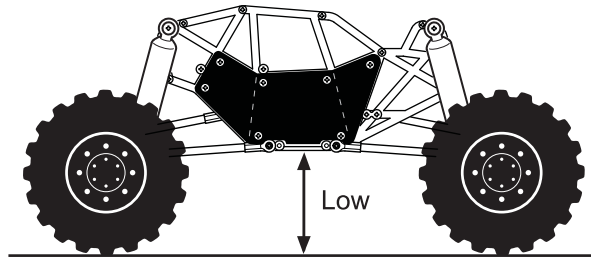
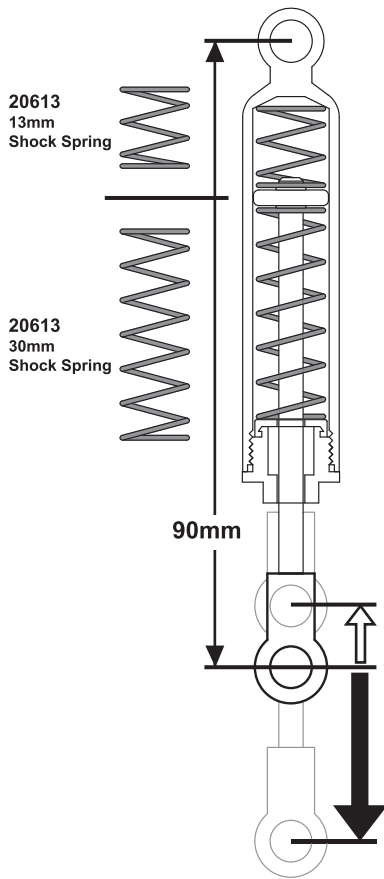
Shock Setup Guide - Droop Setup

★ **Droop setup** can help when your car needs to have a slammed stance and low Center of Gravity.

★ Specs

- Length: 90mm (Mounting hole to hole)
- Full Shaft Travel Range: 35mm

★ Ride Guide



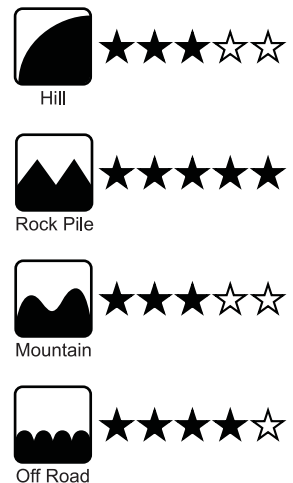
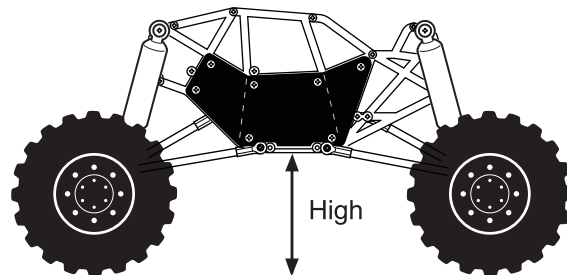
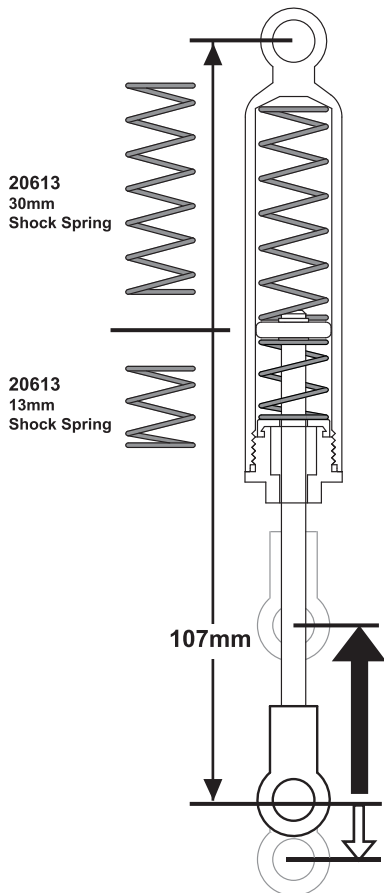
Shock Setup Guide - Sprung Setup

★ **Sprung setup** can give you an advantage on Jagged rocks or steps as high as wheelbase.

★ Specs

- Length: 107mm (Mounting hole to hole)
- Full Shaft Travel Range: 35mm

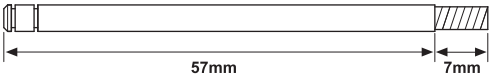
★ Ride Guide



Shocks - Droop Setup

26

26



20612 X4
57mm
Shock Shaft

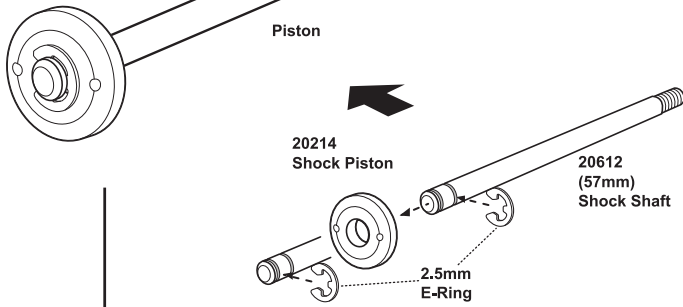
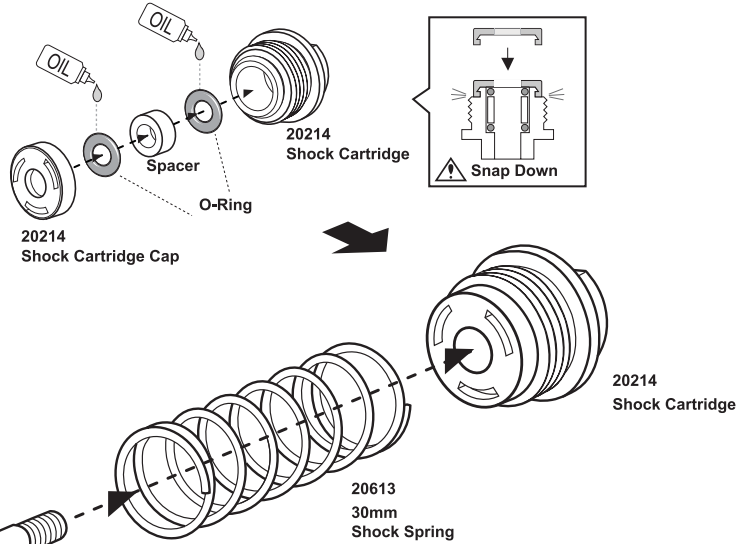
2.5mm X8
E-Ring

O-Ring X8

20214 X4
Shock Piston

20214 X4
Shock Cartridge Cap

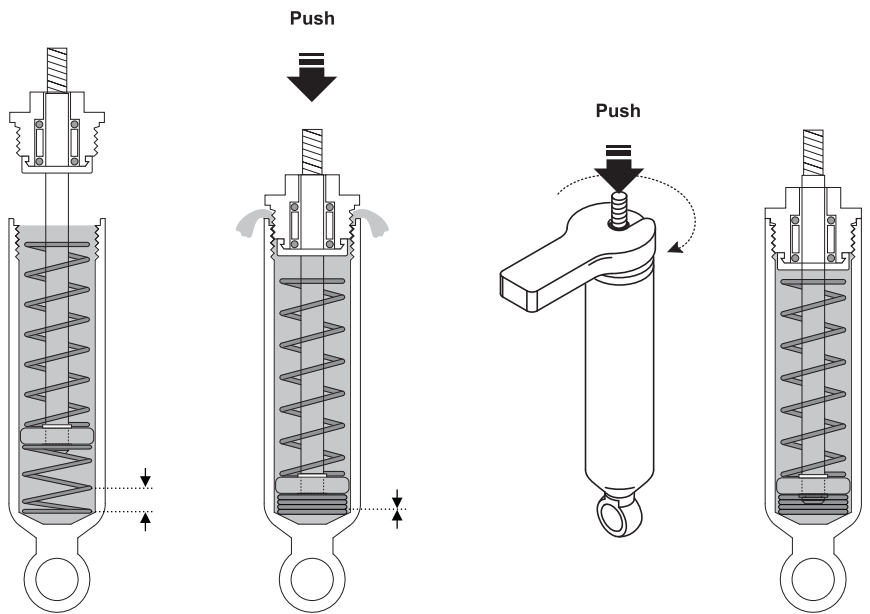
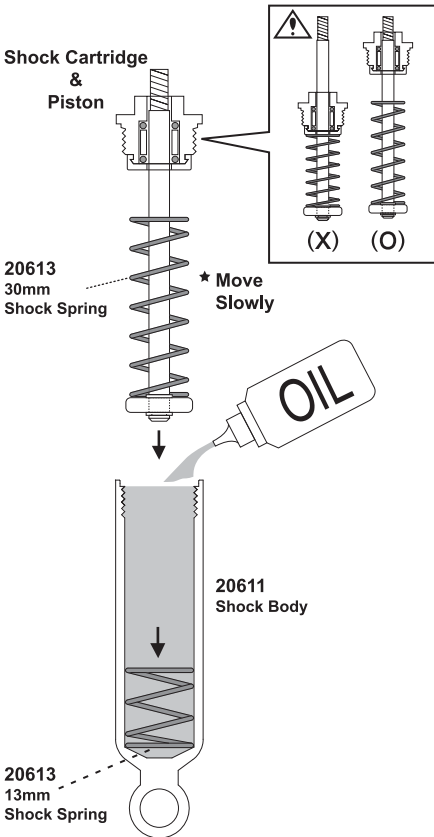
⚠ Make 4 pieces.



1 - Holding the Shock Body inverted, fill the Shock Body with Shock Oil.

2 - Slowly push down the piston and screw down the cartridge assembly.
- This will bleed the excess oil out of the Shock.

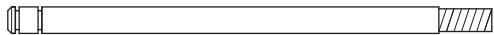
3 - Slowly tighten the Shock Cartridge all the way.



Shocks - Sprung Setup

26

26



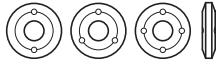
20612 X4
57mm
Shock Shaft



2.5mm X8
E-Ring



O-Ring X8

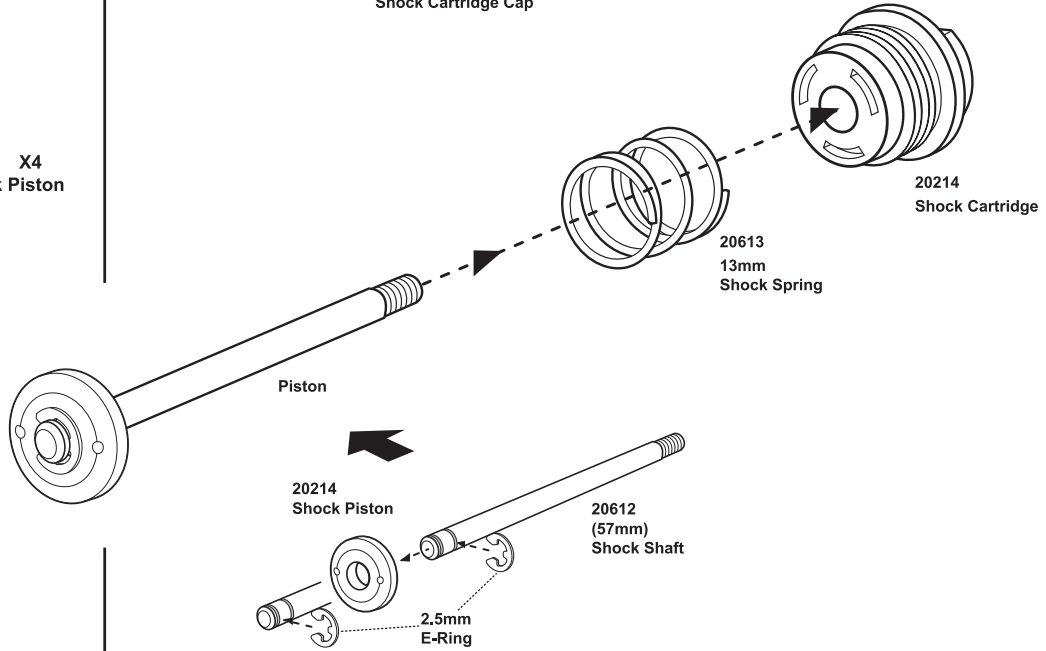
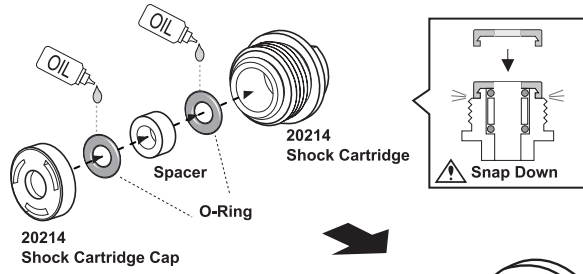


20214 X4
Shock Piston



20214 X4
Shock Cartridge Cap

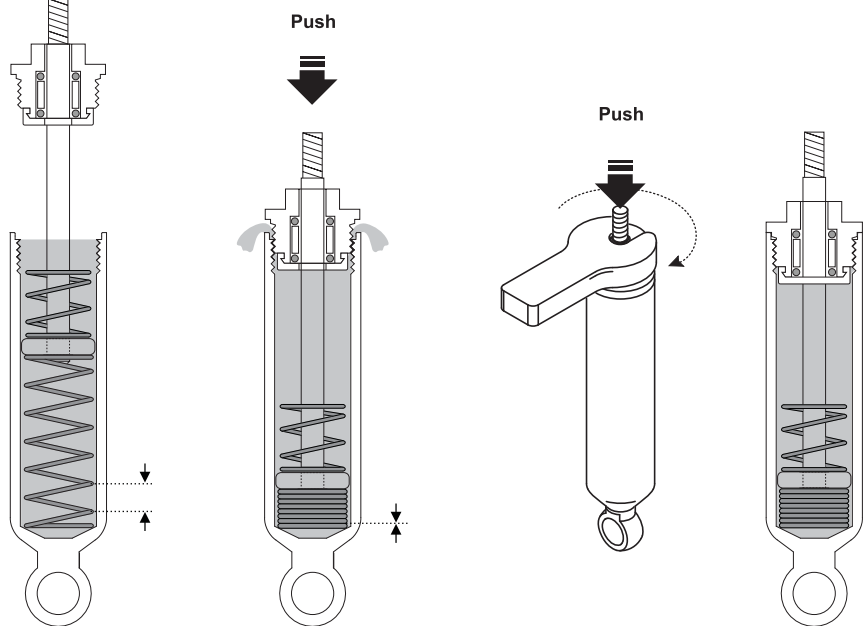
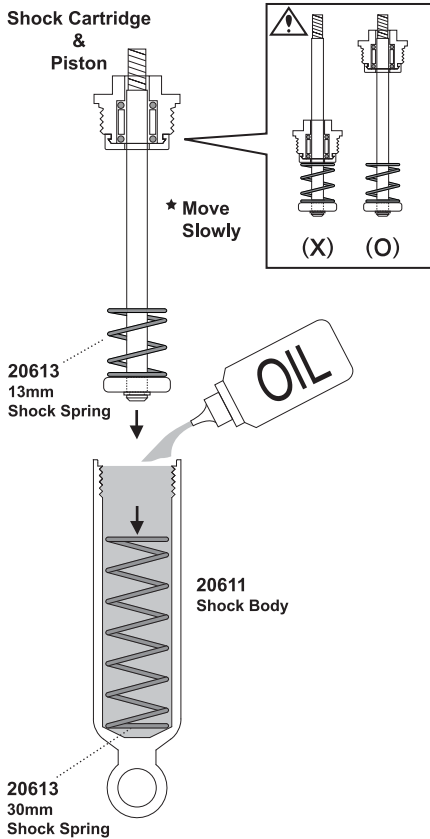
⚠ Make 4 pieces.



1 Holding the Shock Body inverted, fill the Shock Body with Shock Oil.

2 - Slowly push down the piston and screw down the cartridge assembly.
- This will bleed the excess oil out of the Shock.

3 - Slowly tighten the Shock Cartridge all the way.



Shock Mounting

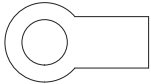
27



20217 X4
Shock Bushing

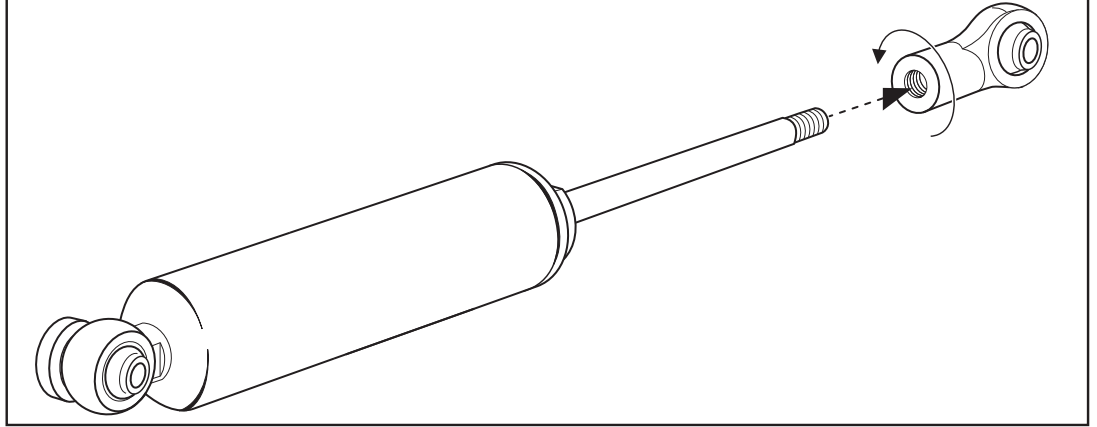
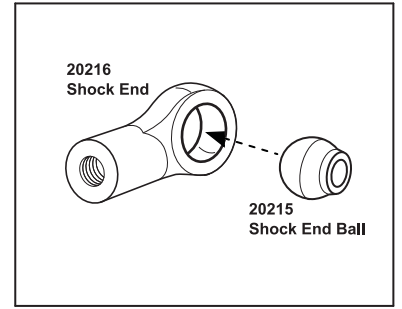
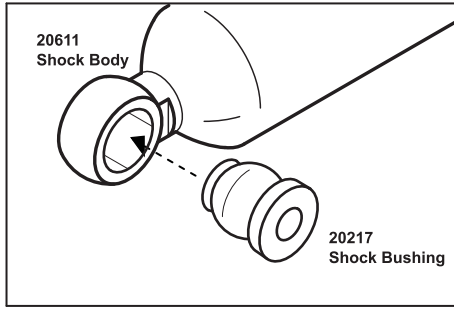


20215 X4
Shock End Ball



20216 X4
Shock End

27 ⚠️ Make 4.



28



3X16mm X4
Round Head Screw



3X25mm X4
Round Head Screw

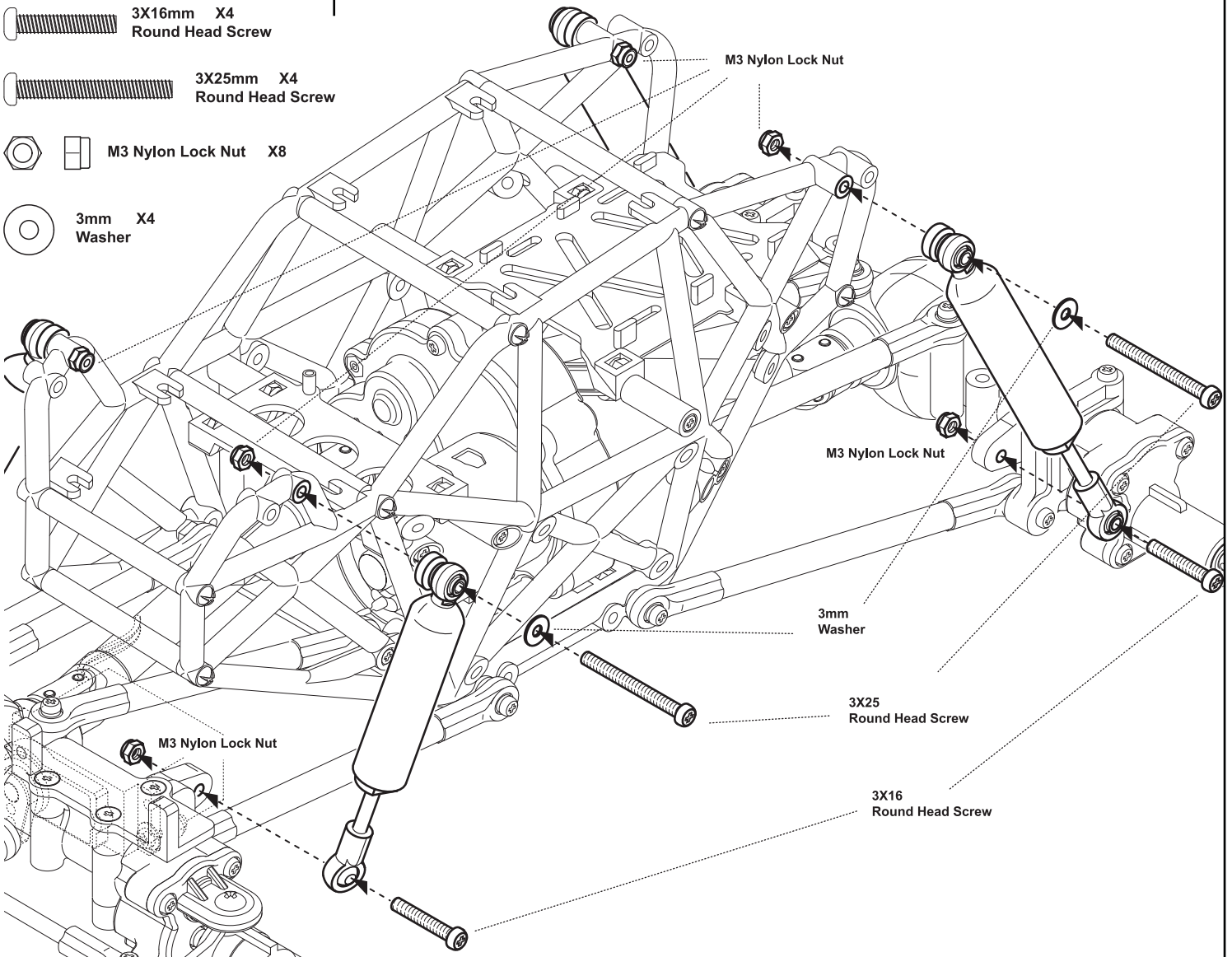


M3 Nylon Lock Nut X8

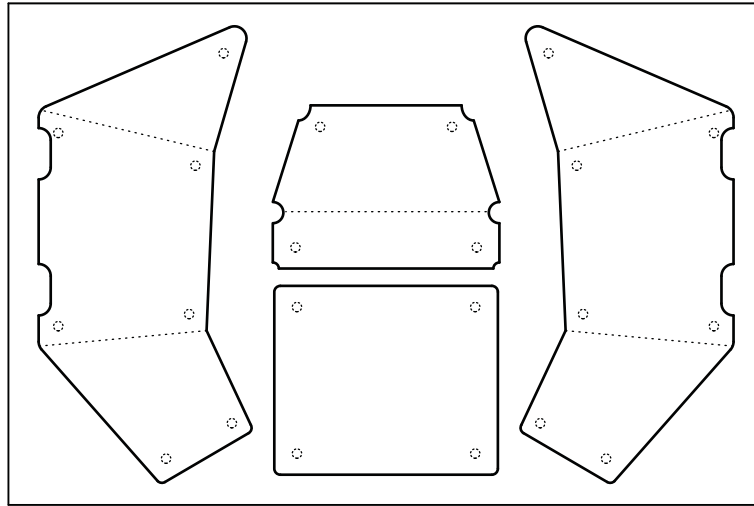


3mm X4
Washer

28

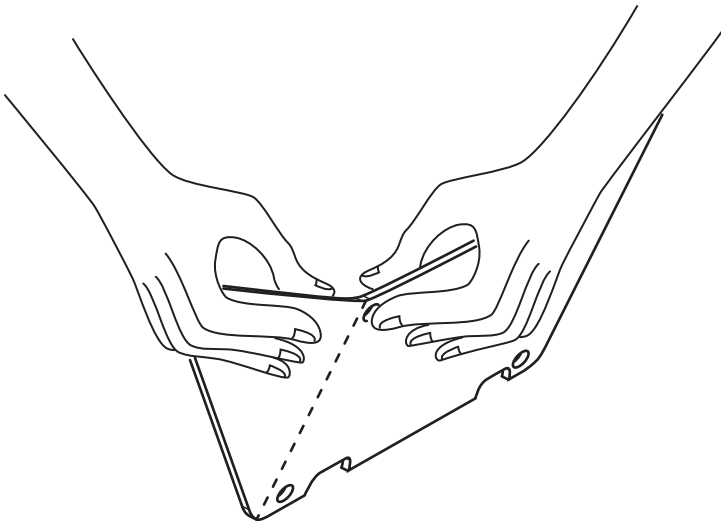


1 Take the Body Panels off, and make holes.

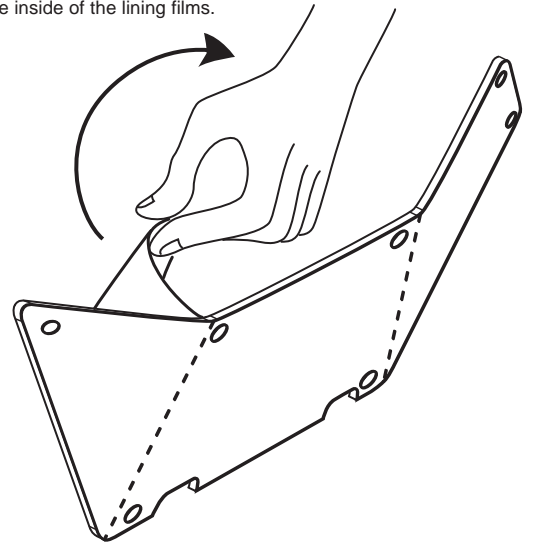


51508
Body Panel

2 Fold the Panels along the dashed line.

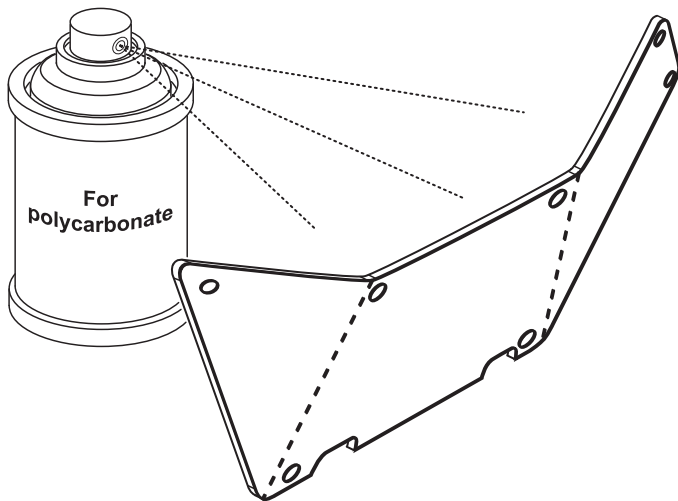


3 Peel away the inside of the lining films.

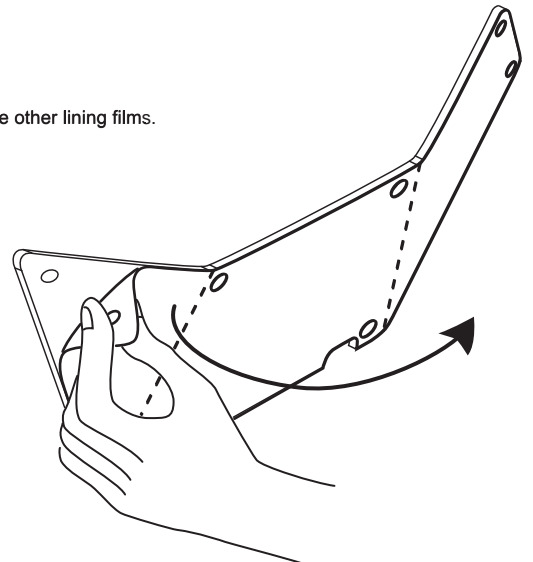


4 Painting the inside of your Body Panels.

⚠ Use the paints recommended for polycarbonate.



5 Peel away the other lining films.



Body Panels

30

30

3X8mm X14
Truss Head Screw

3X10mm X8
Truss Head Screw

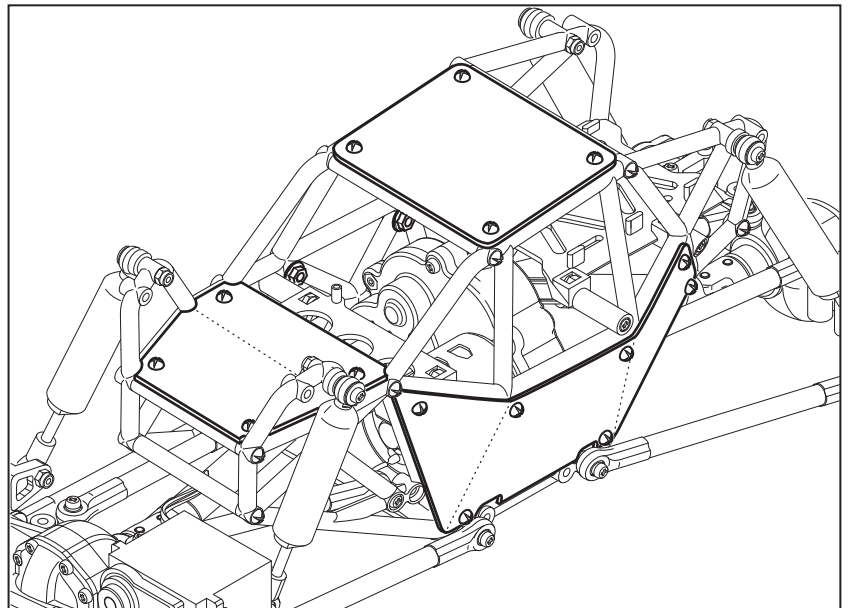
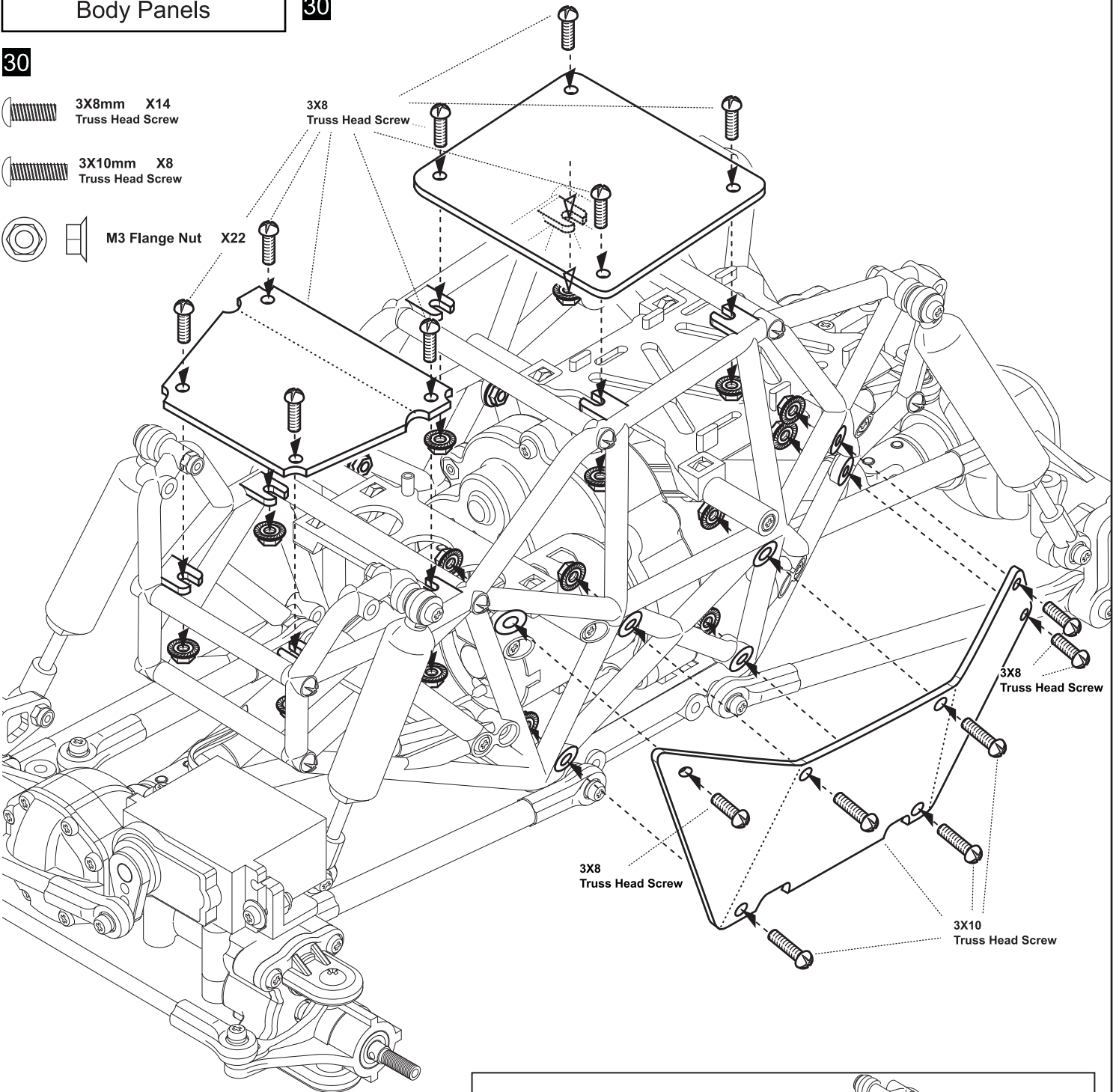
M3 Flange Nut X22

3X8
Truss Head Screw

3X8
Truss Head Screw

3X8
Truss Head Screw

3X10
Truss Head Screw

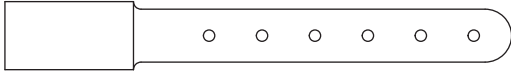


Body Posts

31

3X16mm X4
Round Head Screw

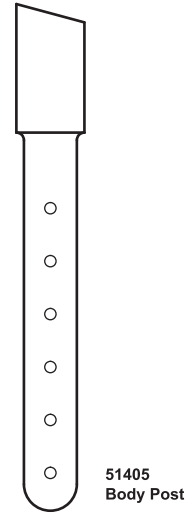
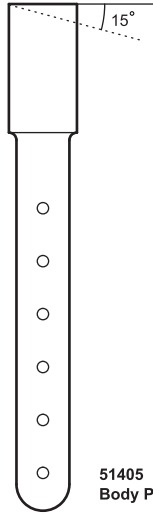
Snap Pin X8



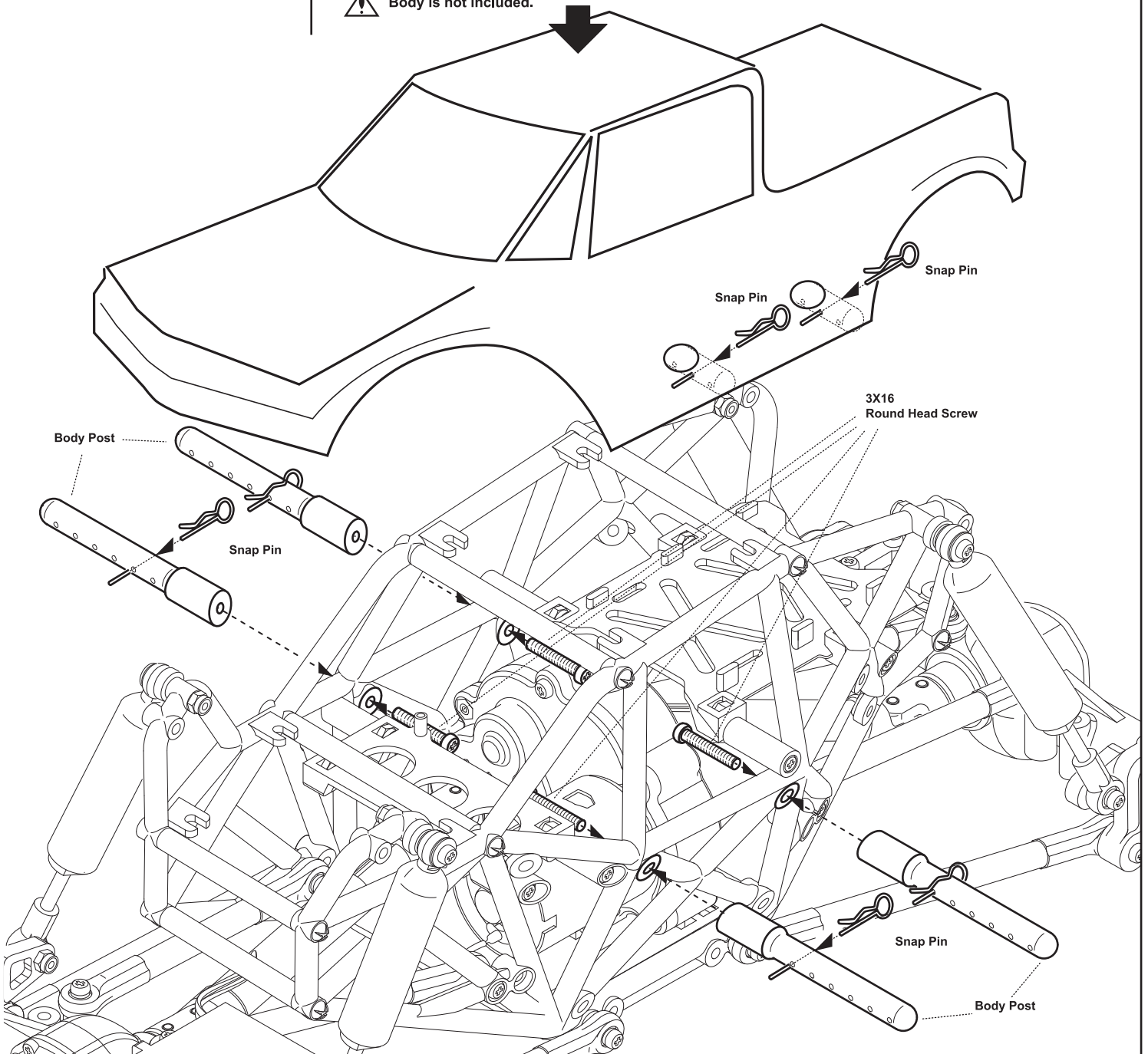
51405 X4
Body Post

31 ⚠️ Make 4.

1 Trim the end of your Body Posts.



2 ⚠️ Body is not included.

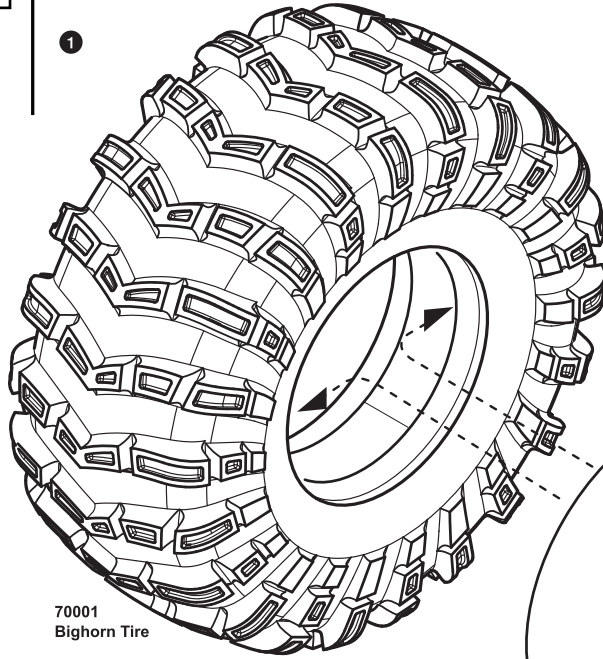


32

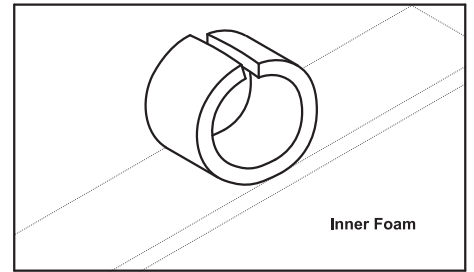
1

70001 X4
Bighorn Tire

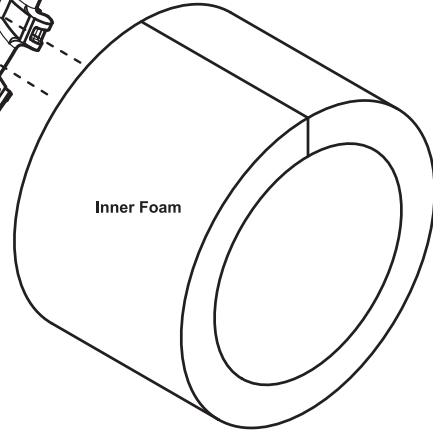
Inner Foam X4



70001
Bighorn Tire



Inner Foam



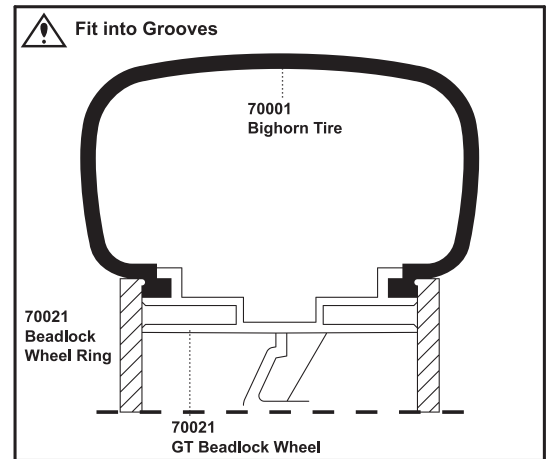
Inner Foam

2

2.6X6mm X24
Round Head Screw

3X10mm X64
Round Head Screw

2

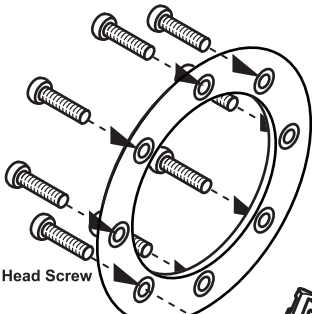


Fit into Grooves

70001
Bighorn Tire

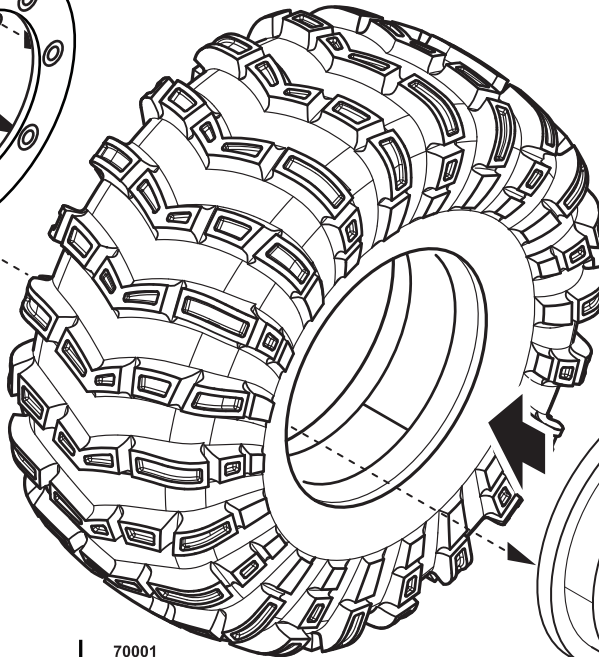
70021
Beadlock
Wheel Ring

70021
GT Beadlock Wheel

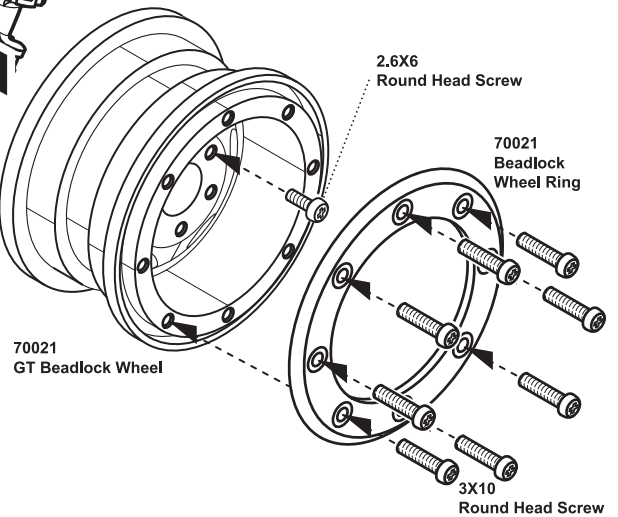


3X10
Round Head Screw

70021
Beadlock
Wheel Ring



70001
Bighorn Tire



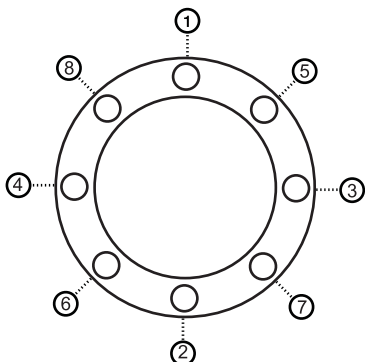
2.6X6
Round Head Screw

70021
Beadlock
Wheel Ring

70021
GT Beadlock Wheel

3X10
Round Head Screw

Tighten Beadlock rings
using the sequence shown.

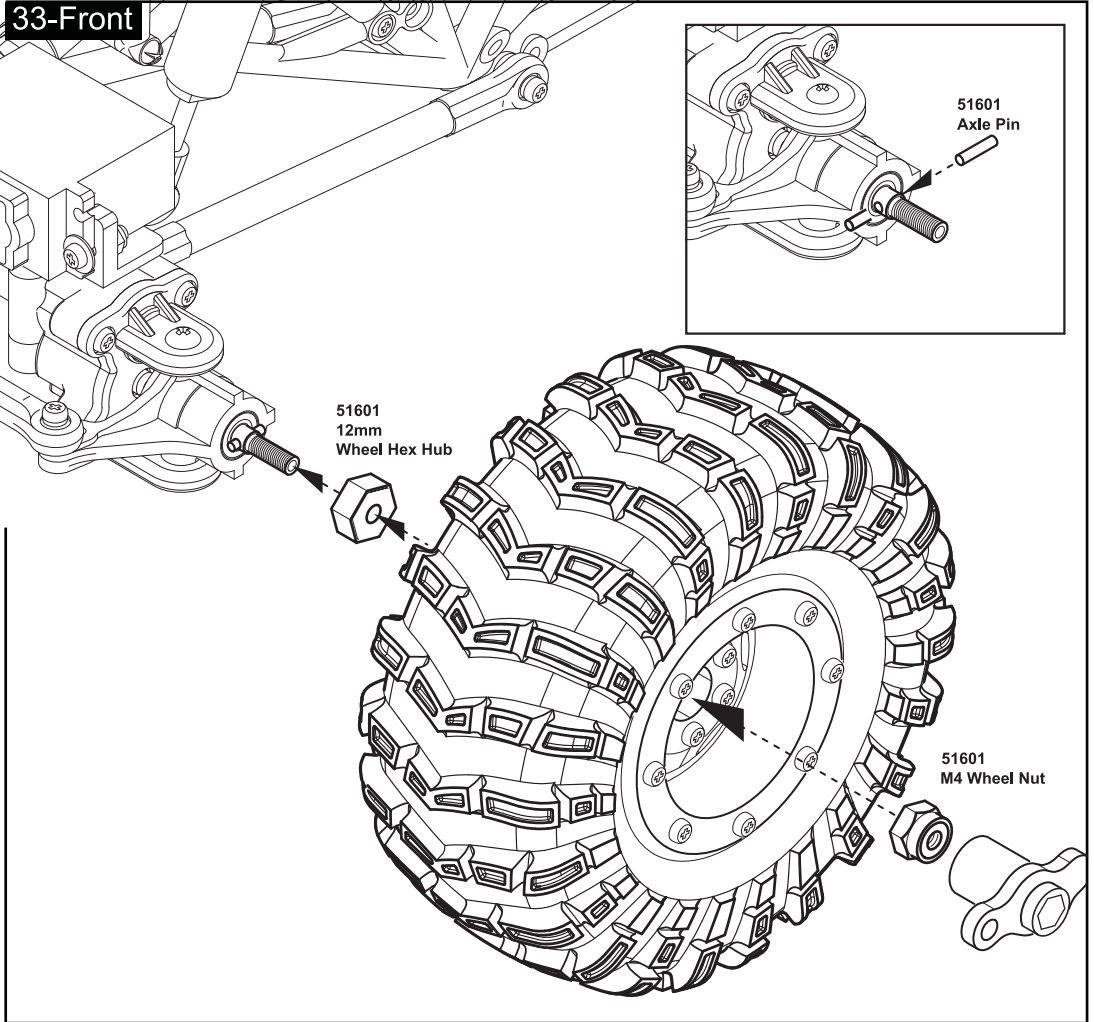
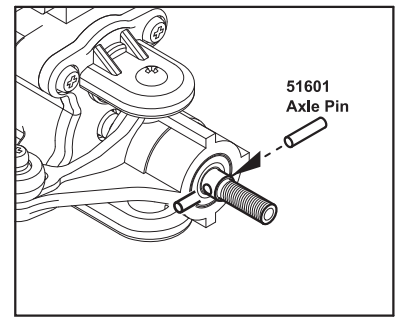


Wheels and Tires

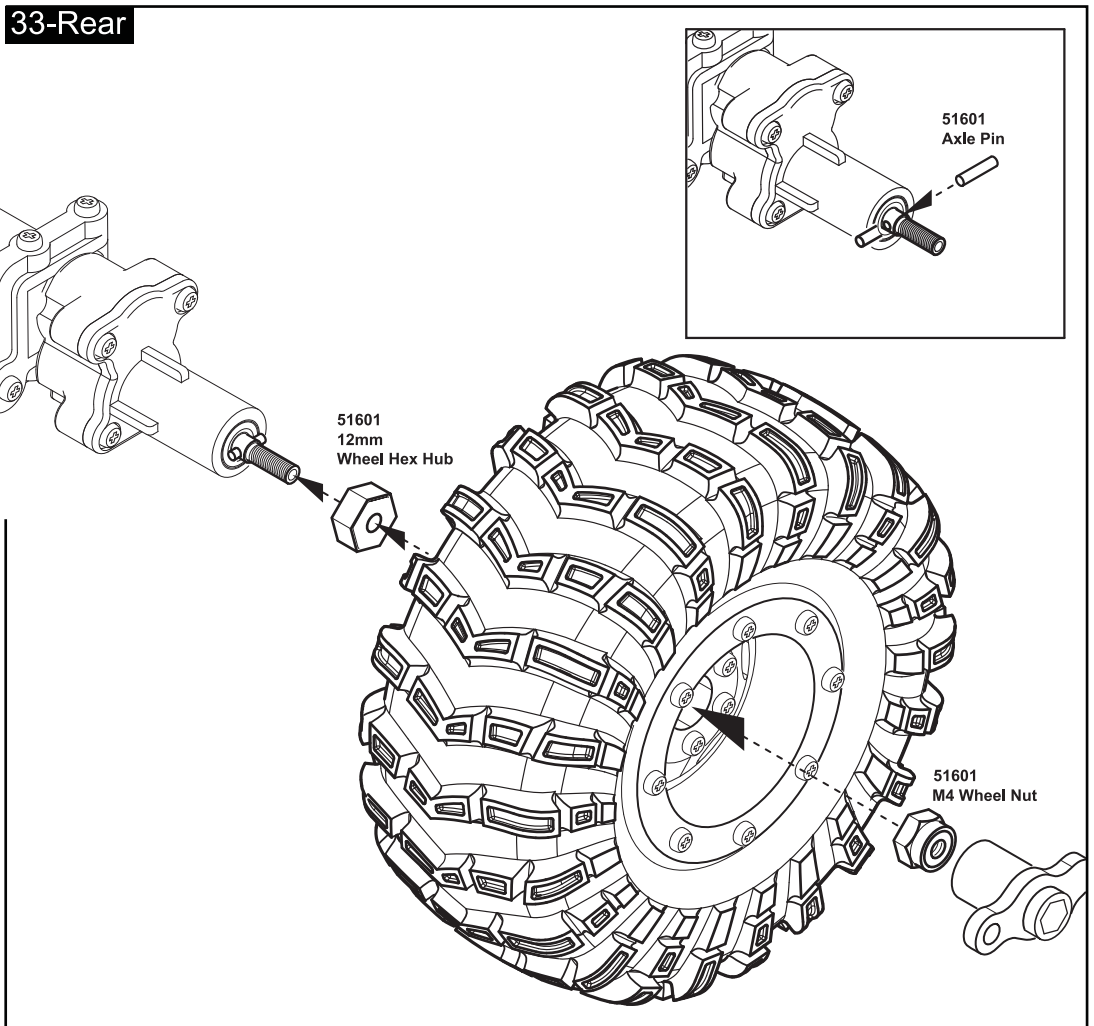
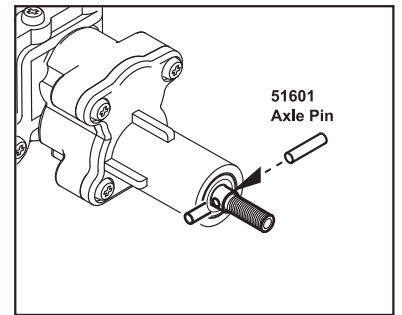
33-Front

33

- 51601 X4 Axle Pin
- 51601 X4 12mm Wheel Hex Hub
- 51601 X4 M4 Wheel Nut



33-Rear



Parts Reference

51100

- 51101 Axle Housing (X2)
- 51102 Link Mount set (X2)
- 51103 C Hub Carrier (X2)
- 51104 Straight Axle Adapter (X2)
- 51105 Knuckle Arm (X2)
- 51106 Differential Bearing Cap (X4)
- 51107 Servo Plate (X1)

- 51108 Differential Cover (X2)
- 51109 32T Bevel Gear (X2)
- 51110 17T Bevel Gear (X2)
- 51111 Front Portal Gear 14T, 16T(ϕ 5) (X2)
- 51112 Rear Portal Gear 14T, 16T(ϕ 6) (X2)

- 51113 67mm Drive Shaft (X2)
73mm Drive Shaft (X2)

- 51114 Front Portal Gear Shaft (X2)
- 51115 Rear Portal Gear Shaft (X2)
- 51116 17T Bevel Gear Shaft (X2)
- 51117 Wheel Axle (X2)
- 51118 105mm Threaded Shaft (X1)
149mm Threaded Shaft (X1)
6.8mm Rod End (X4)
6.8mm Rod End Ball (X4)

- 51119 2.6X6mm Round Head Screw (X16)
3X12mm Round Head Screw (X2)
3X16mm Round Head Screw (X17)
3X20mm Round Head Screw (X1)
3X25mm Round Head Screw (X1)
3X30mm Round Head Screw (X6)
3X25mm Flat Head screw (X1)
3X30mm Flat Head screw (X2)
3X10mm Step Screw (X4)
M3 Nut (X10)
M3 Nylon Lock Nut (X20)
2.5mm E-Ring (X2)
3mm Washer (X2)

51200

- 51201 Transmission Housing set (X1)
- 51202 Motor Plate (X1)
- 51203 Pinion Gear Cap (X1)
- 51204 39/15T Counter Gear (X1)
- 51205 35/15T Counter Gear (X1)
- 51206 37T Counter Gear (X1)

- 51207 21mm Counter Gear Shaft (X1)
23mm Counter Gear Shaft (X1)
43mm Counter Gear Shaft (X1)
- 20142 32Pitch 12T Pinion Gear (X1)

- 51208 3X8mm Round Head Screw (X1)
3X10mm Round Head Screw (X6)
3X12mm Round Head Screw (X1)
3X16mm Round Head Screw (X1)
3X20mm Round Head Screw (X3)
3X4mm Socket Set Screw (X1)
M3 Nut (X10)
3mm Washer (X2)

51300

- 51301 Universal Shaft set (X2)
- 51302 U-Joint (X4)
Cross Pin (X4)
3X3mm Socket Set Screw (X4)

- 51303 Upper Link (X4)
- 51304 Lower Link (X4)

- 20172 6.8mm Rod End (X16)
- 20173 6.8mm Rod End Ball (X12)
- 20174 6.8mm Ball Nut (X4)

- 51305 3X20mm Round Head Screw (X4)
3X30mm Round Head Screw (X4)
3X15mm Screw Pin (X4)
4X20mm Socket Set Screw (X16)
M3 Nut (X4)
M3 Nylon Lock Nut (X4)

51400

- 51401 Chassis set (X 1)
- 51402 Radio Plate (X1)
- 51403 Battery Plate (X1)
- 51404 Center Skid Plate (X1)
- 51405 Body Post (X4)

- 51406 48mm Chassis Shaft (X2)
58mm Chassis Shaft (X1)
68mm Chassis Shaft (X3)

- 51407 3X12mm Truss Head Screw (X12)
3X12mm Round Head Screw (X8)
3X16mm Round Head Screw (X8)
3X20mm Round Head Screw (X2)
3X25mm Round Head Screw (X10)
M3 Nylon Lock Nut (X20)
3mm Washer (X4)
Snap Pin (X8)

20611

- 20611 Shock Body (X4)

- 20214 Shock Cartridge Parts Tree (X2)
Shock Piston Parts Tree (X1)

- 20215 Shock End Ball (X4)
- 20216 Shock End (X4)
- 20217 Shock Bushing (X4)

- 20220 Shock Oil (X1)

- 20612 57mm Shock Shaft (X4)
2.5mm E-Ring (X8)
O-Ring (X8)

- 20613 30mm Shock Spring (X4)
13mm Shock Spring (X4)

51500

- 51501 3X8mm Truss Head Screw (X14)
3X10mm Truss Head Screw (X8)
M3 Flange Nut (X22)

- 51502 Releasable Tie (X2)
Gear Grease (X1)
1.5mm L-Wrench (X1)
2.0mm L-Wrench (X1)
Box Wrench (X1)

- 51503 Ball Bearing 850 (X22)
Ball Bearing 1150 (X14)

51600

- 51601 12mm Wheel Hex Hub (X4)
M4 Wheel Nut (X4)
Axle Pin (X4)

- 70021 GT Bead lock Wheel (X4)
Bead lock Wheel Ring (X8)
2.6X6mm Round Head Screw (X24)
3X10mm Round Head Screw (X64)

- 70001 Bighorn Tire (X4)

- 51508 Body Panel (X1)
- 51509 Decal (X1)
- 51510 Manual (X1)

* Requires a transmitter, receiver, 7.2V battery, motor, steering servo and an electronic speed control. (Not included)



Sinwol-3dong, 199-5
GMADE building 1F.
Yangcheon-gu, Seoul 158-830
South Korea
Tel. 02-2696-8170
Fax. 02-2696-8171